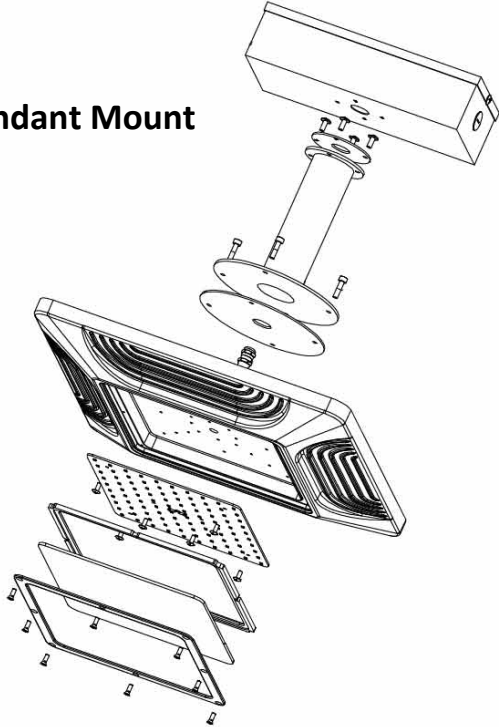


Astro-Lite - G2 Canopy Light

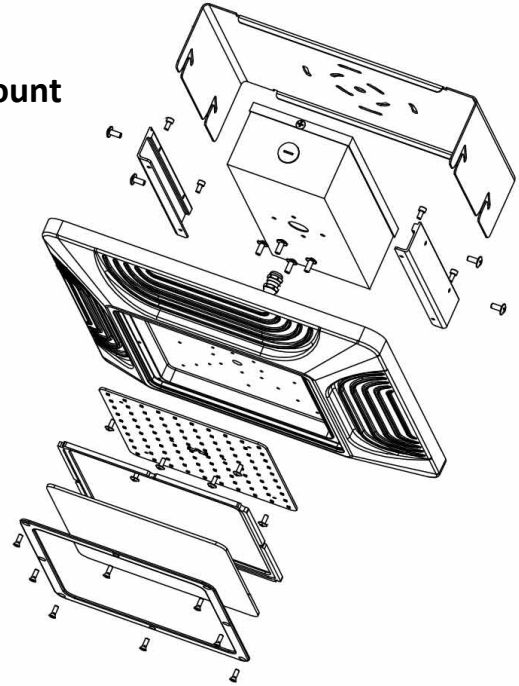
[25W-55W Canopy Light]

Details

Pendant Mount



Surface Mount



Ordering Code Example:

GTL-AR-Astro-Lite - M21 - G2 - HI - SV - BR - NL / -----

Fixture	Module	Wattage	Voltage	MSRP	CCT	Lens	Accs	MSRP
GTL-Astra	M21 - G2	HI (55W)	SV (120V-277V)		GR (5000K) [70CRI]	NL = No Lens	GT-LSP-120	
			HV (347V-480V)		BR (5000K) [80CRI]	10D = 10D Lens (\$23.00)	GT-LSP-240	
	M21 - G2	MH (45W)	SV (120V-277V)		YW (4100K) [70CRI]	25D = 25D Lens (\$23.00)	GT-LSP-277	
			HV (347V-480V)		BL (4000K) [80CRI]	50D = 50D Lens (\$23.00)	GT-LSP-347	
	M21 - G2	ML (35W)	SV (120V-277V)		RD (3500K) [80CRI]	75D = 75D Lens (\$23.00)	GT-LSP-480	
			HV (347V-480V)		PR (3000K) [95CRI]	360s = 360 Square Lens (\$23.00)	IP67	
	M21 - G2	LO (25W)	SV (120V-277V)		OR (2700K) [80CRI]	T2 = Type II Lens (\$23.00)		
			HV (347V-480V)			T3 = Type III Lens (\$23.00)		

* IP67 upgrade for module + fan