

LED

Astro-Lite - G2 Canopy Light [25W-55W Canopy Light]



Typical Module Wattage Settings:

Rated Watts [W]	Rated Lumens [Lm]	Efficacy [Lm/W]
	6000	110
	000	11
3	000	120
2	3000	120

Description and Application:

The Astra-Lite is the smaller canopy light up to 55 Watts and the Astra is the larger one up to 120 Watts. Constructed out of cast aluminum for longevity. Can be mounted with either a Pendant Mount or a Ceiling/Surface Mount.

Key Features:

- Life Sync
 - Module Temp Protection
 - Lumen Depreciation Maintenance
- Made in USA
- Standard
- 5-6-1
- 0-10VDC Dimming
 - If dimming is desired please specify when ordering

Driver:

- 120-277VAC
- or-
- 347-480VAC

Warranty:

- Warranty: Driver = 5 years
- Solstice Light Engine = 10 years

Technical:

- Operating Temperature Range:
 - 40°C to 55°C Nominal
- L70 > 150,000Hrs.
- Life Sync adjusts module to operate at max performance in any given environment
- Photometric: .ies files available
- Surge Protector: Required for ALL 347V-480V applications in order to qualify for Warranty
- Recommended for all outdoor applications



Accessories

Catalog #	Description
IP67	IP67 Rated LED Engine
GT-LSP-120	Surge Protector. 120 V 10 kA Parallel. 20kA maximum discharge current.
GT-LSP-240	Surge Protector. 240 V 10 kA Parallel. 20kA maximum discharge current.
GT-LSP-277	Surge Protector. 277 V 10 kA Parallel. 20kA maximum discharge current.
GT-LSP-347	Surge Protector. 347 V 10 kA Parallel. 20kA maximum discharge current.
GT-LSP-480	Surge Protector. 480 V 10 kA Parallel. 20kA maximum discharge current.

Optical Distributions:



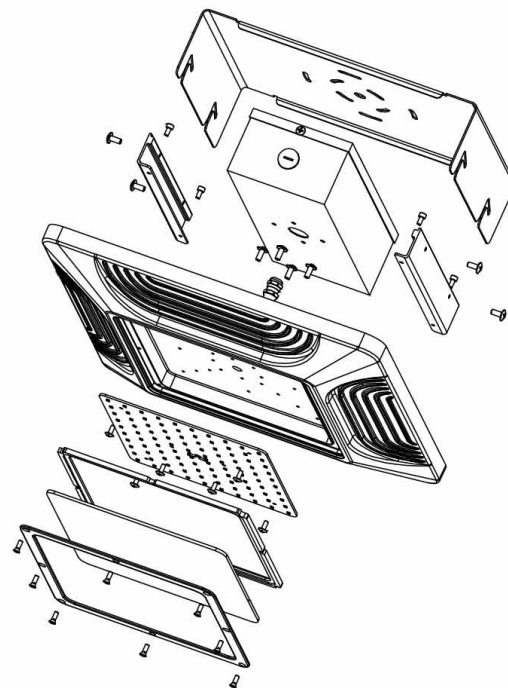
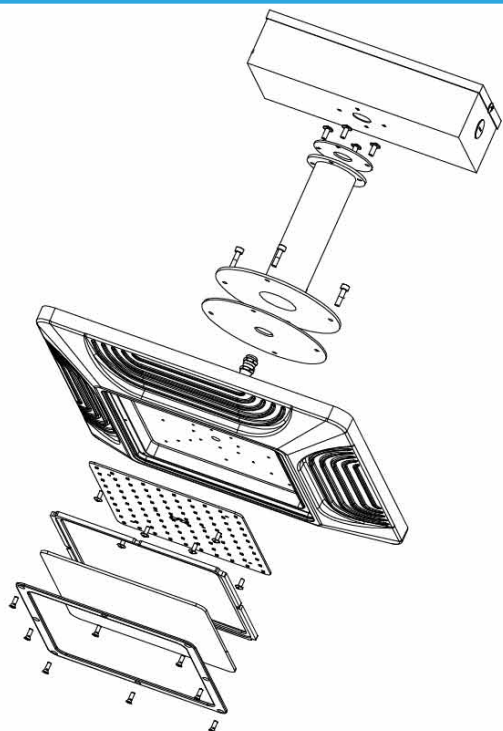
Color Temperature Options:



Astro-Lite - G2 Canopy Light

[25W-55W Canopy Light]

Details



Ordering Code Example:

GTL-AR-Astro-Lite - M21 - G2 - HI - SV - BR - NL / -----

Fixture	Module	Wattage	Voltage	MSRP	CCT	Lens	Accs	MSRP
GTL-AR-Astro-Lite	M21 - G2	HI (55W)	SV (120V-277V)	\$325.00	GR (5000K) [70CRI]	NL = No Lens	GT-LSP-120	\$29.50
			HV (347V-480V)	\$352.00	BR (5000K) [80CRI]	10D = 10D Lens (\$23.00)	GT-LSP-240	\$29.50
	M21 - G2	MH (45W)	SV (120V-277V)	\$325.00	YW (4100K) [70CRI]	25D = 25D Lens (\$23.00)	GT-LSP-277	\$29.50
			HV (347V-480V)	\$352.00	BL (4000K) [80CRI]	50D = 50D Lens (\$23.00)	GT-LSP-347	\$29.50
	M21 - G2	ML (35W)	SV (120V-277V)	\$325.00	RD (3500K) [80CRI]	75D = 75D Lens (\$23.00)	GT-LSP-480	\$29.50
			HV (347V-480V)	\$352.00	PR (3000K) [95CRI]	360s = 360 Square Lens (\$23.00)	IP67	\$31.50
	M21 - G2	LO (25W)	SV (120V-277V)	\$325.00	OR (2700K) [80CRI]	T2 = Type II Lens (\$23.00)		
			HV (347V-480V)	\$352.00		T3 = Type III Lens (\$23.00)		

* IP67 upgrade for module + fan