

ATLAS-5498-MP High Bay

[100W LED Mid Power Factor LED Array High Bay]

Description and Application:

The new innovative GTL Fixture is light weight, compact and still delivers the light you need, where you need it. The Fixture is an excellent replacement for High Bays or Low Bays in architectural applications with its sleek profile and virtually any color variation with an RAL#. RAL#'s can be found at www.RALcolor.com *

* Lead times may vary on Custom RAL#'s

Specification Features:

- Luxeon 3535L Mid Power Factor Chips
- Over temperature protection
- Soft start
- 0 - 10V Dimming compatible
- Under voltage protection for power off or brownout.
- 0 - 10V Input port.
- 6lbs

Wattage Selections:

GTSOL5498-MP – 100W

STD: Standard Operation

SAVE: 5-6-1 Energy saving program

Dimm Sink - Select when using a driver as 10V source for dimmer switch

Dimm Source - Select when GTSOL5498-MP is used as 10V source for dimmer switch

Driver:

120-277VAC driver input.
(Blue = Neutral, Brown = Hot)

Additional Information:

Operating Temperature Range:
up to +50 degrees Celsius

Photometrics:
.ies files available

L70 > 100,000Hrs.

Surge Protector:
- Recommended for all outdoor applications

L70 / TM21 > 36,000Hrs.

Warranty: Driver = 5 years
Solstice Light Engine = 10 years
Fixture = 10 years



GT-PENDANT
Accessory

LED Module Compatibility

Product	Output Setting	LED Chip Drive Current [mA]	Rated Lu-mens [Lm]	Rated Watts [W]
GTSOL5498-MP x 1	HO	200	10K-11.5K	100

Accessories

Catalog #	Description
GT-PENDANT	Pendant mount
"RAL#"	Custom Fixture Housing Color (Insert actual Ral#)



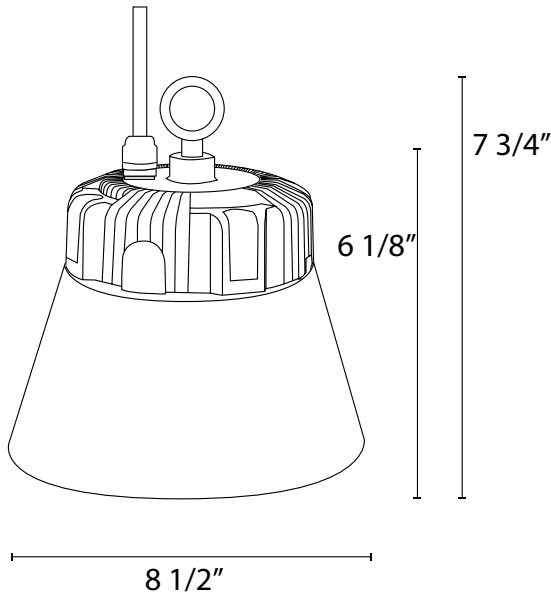
Fully Compliant with ARRA Buy American Requirements. Made in the USA.



ATLAS-5498-MP High Bay


[100W LED Mid Power Factor LED Array High Bay]

Details



Features

- Life Sync
- Module Temp Protection
- Lumen Depreciation Maintenance
- Wattage Selections - Factory Set
- On Board Programming
 - 5-6-1 Energy Saving Program
 - 0-10V Dimming
- Lumiled Luxeon L3535L LED chips
- Active Thermal Management
- Optical Distribution Options
- -45°C to 50°C Nominal Operating Temperature
- 10 Year Warranty



Ordering Code Example:

GTL-HB-ATLAS - 5498-MP - HO - SV - BR - NL

Fixture	Module	Wattage	Voltage		CCT	Lens	Accs	
GTL-HB-ATLAS	5498-MP	HO (100W)	SV (120V-277V)		BR (5000K) [80CRI] BL (4000K) [80CRI]	NL = No Lens	GT-PENDANT "RAL#"	

Please see previous page for accessory information
Please note, prices may change with quantity

Fully Compliant with ARRA Buy American Requirements. Made in the USA.