

ATLAS High Bay

[135W LED High Bay]

Description and Application:

The new innovative GTL Fixture is light weight, compact and still delivers the light you need, where you need it. The Fixture is an excellent replacement for High Bays or Low Bays in architectural applications with its sleek profile and virtually any color variation with an RAL#. RAL#'s can be found at www.RALcolor.com *

* Lead times may vary on Custom RAL#'s

Specification Features:

- Precision LED setup available for maximum photometric efficiency and optimum light distribution.
- Over temperature protection
- Soft start
- 0 - 10V Dimming compatible
- Under voltage protection for power off or brownout.
- 0 - 10V Input port.
- 6lbs

Wattage Selections:

GTSOL5498 – 135W

STD: Standard Operation

SAVE: 5-6-1 Energy saving program

Dimm Sink - Select when using a driver as 10V source for dimmer switch

Dimm Source - Select when GTSOL5498 is used as 10V source for dimmer switch

Driver:

120-277VAC driver input.
(Blue = Neutral, Brown = Hot)

Additional Information:

Operating Temperature Range:
up to +50 degrees Celsius

Photometrics:
.ies files available

Optics offered for different distributions.
(Dist. = 120° w/o secondary optics)

Surge Protector:
- Recommended for all outdoor applications

L70 / TM21 > 60,000Hrs.

Warranty: Driver = 5 years
Solstice Light Engine = 10 years
Fixture = 10 years

Life Sync adjusts module to operate at max performance in any given environment

Accessories

Catalog #	Description
GT-PENDANT	Pendant mount
"RAL#"	Custom Fixture Housing Color (Insert actual Ral#)



GT-PENDANT
Accessory

LED Module Compatibility

Product	Output Setting	LED Chip Drive Current [mA]	Rated Lu-mens [Lm]	Rated Watts [W]
GTSOL5498 x 1	HO	900	13164	135



Fully Compliant with ARRA Buy American Requirements. Made in the USA.

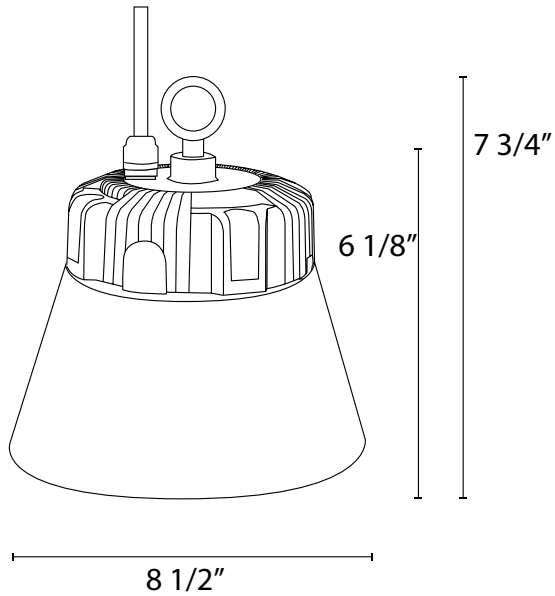


Product Information

ATLAS High Bay


[135W LED High Bay]

Details



Features

- Life Sync
- Module Temp Protection
- Lumen Depreciation Maintenance
- Wattage Selections (on board)
- On Board Programming
 - 5-6-1 Energy Saving Program
 - 0-10V Dimming
- Lumiled Luxeon LED chips
- Active Thermal Management
- Optical Distribution Options
- -45°C to 50°C Nominal Operating Temperature
- 10 Year Warranty



Ordering Code Example:
 GTL-HB-ATLAS - 5498 - HO - SV - GR - 10D

Fixture	Module	Wattage	Voltage		CCT	Lens	Accs	
GTL-HB-ATLAS	5498	HO (135W)	SV (120V-277V)		GR (5000K) [70CRI]	NL = No Lens	GT-PENDANT	
					BL (4000K) [80CRI]	25D = 25D Lens	"RAL#"	
						50D = 50D Lens		
						75D = 75D Lens		

Please see previous page for accessory information
 Please note, prices may change with quantity

Fully Compliant with ARRA Buy American Requirements. Made in the USA.