

## GTR-AR-112-HO-SV-BR-NL-PLGT (LARGE)

### Description and Application:

Glass Replacement LED Retrofit Kit for Large Outdoor Pole/  
Arm Mounted Luminaires. Kit comes with Module and Driver  
mounted to Custom Plate

### Mounting Option:

- PLGT - (LARGE) = Glass Replacement Custom Plate
- For large Fixtures with minimum dimensions 22.5" x 22.5" x 9"

### Driver Voltage/Wattage:

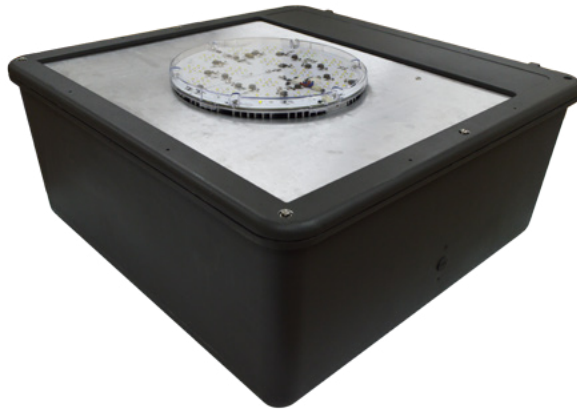
120-277vAC 192w input / 24vDC output

### Additional Information:

Warranty:  
Driver - 5 year warranty  
Solstice Light Engine - 10 year  
warranty

Surge Protector:  
- Recommended for all outdoor  
applications

L70 > 100,000hrs.  
TM21 - L70 > 60,000hrs.



Minimum Fixture Dimensions: 22.5" x 22.5" x 9"



\*\*\*NOTE\*\*\* For Fixture or Plate sizes less than the minimum dimensions shown here Please refer to Product Spec Sheet with Model number GTR-AR-112-HI-SV-BR-NL-PLAT



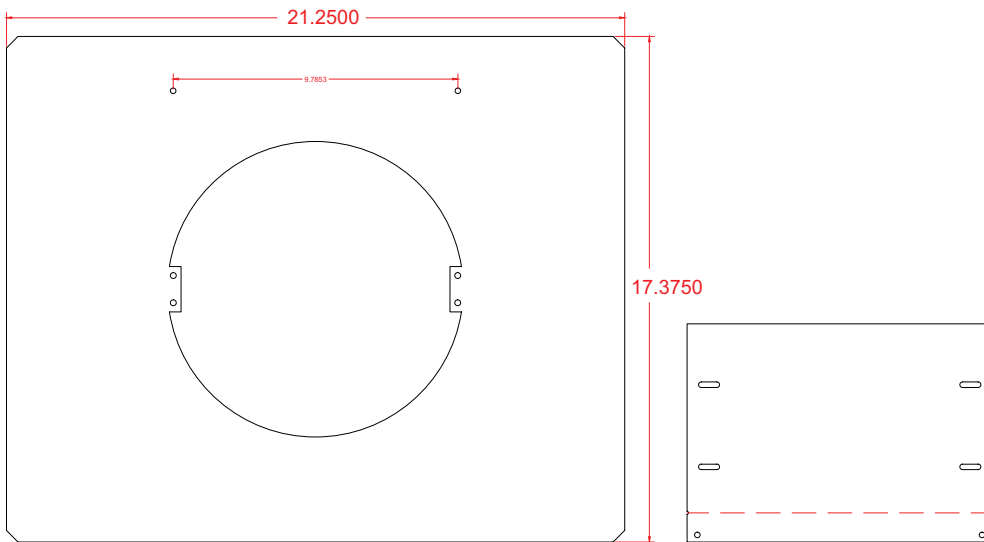
Fully Compliant with ARRA Buy American Requirements. Made in the USA.



**GTR-AR-112-HO-SV-BR-NL-PLGT (LARGE)**

**Details**

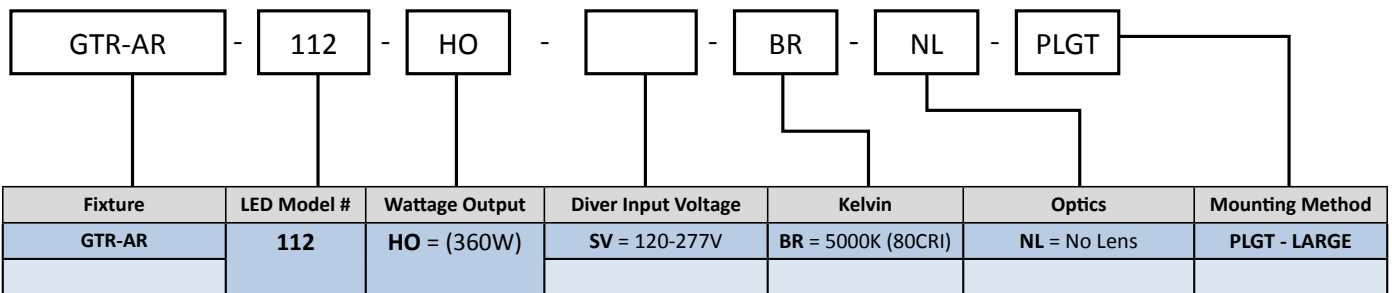
**Minimum Internal Kit Dimensions:  
21.25" x 17.375"**



**\*\*\*NOTE\*\*\*** For Fixture or Plate sizes less than the minimum dimensions shown here Please refer to Product Spec Sheet with Model number GTR-AR-112-HI-SV-BR-NL-PLAT

Ordering Code Example:

GTR-AR - 112 - HO - SV - BR - NL - PLGT



**Fully Compliant with ARRA Buy American Requirements. Made in the USA.**