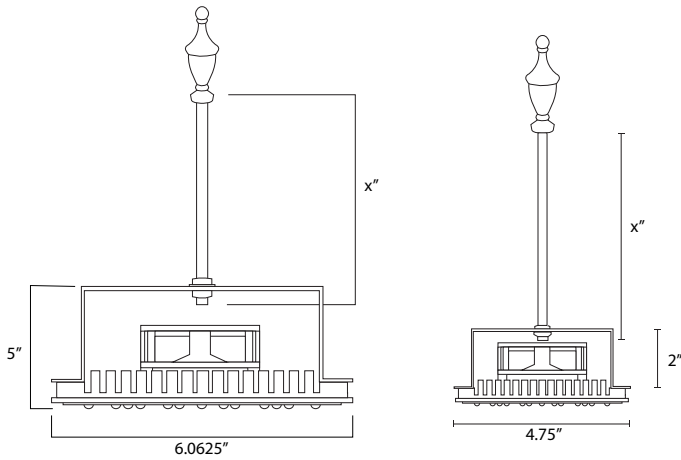


## GTR-PT



### Description and Application:

LED Retrofit Kit for Outdoor Post Top Mounted Area Luminaires

### Specification Features:

- Custom colors available upon request.

### Mounting Options:

- PTFM = Post Top Finial Mount

### Driver and Wattage:

120-277VAC 60w input / 24vDC output  
120-277VAC 40w input / 24vDC output  
120-277VAC 150w input / 24vDC output  
120-277VAC 100w input / 24vDC output  
340-480VAC 150w input / 24vDC output  
340-480VAC 100w input / 24vDC output

### Additional Information:

Warranty:  
Driver - 5 year warranty  
Solstice Light Engine - 10 year warranty

LED And Optical Assembly:  
Structured LED Clusters for  
Optimized Photometric

Lumen Depreciation:  
L70 > 100,000hrs.  
L70 / TM21 >60,000hrs.

Surge Protector:  
- Required for ALL 347V-480V applications in order to qualify for Warranty  
- Recommended for all outdoor applications

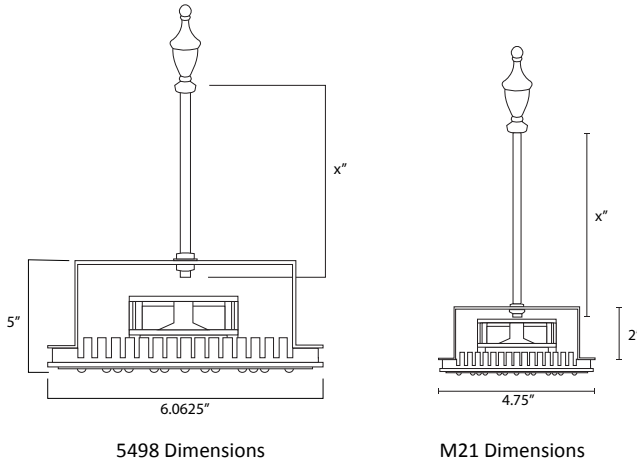


Fully Compliant with ARRA Buy American Requirements. Made in the USA.



# GTR-PT

## Details



### Features

- Life Sync
- Module Temp Protection
- Lumen Depreciation Maintenance
- Lumiled Luxeon LED chips
- Active Thermal Management
- Optical Distribution Options
- -45°C to 50°C Nominal Operating Temperature
- 10 Year Warranty

Ordering Code Example:

GTR-PT - M21 - HI - SV - GR - NL - PTFM

Fixture	Module	Wattage	Voltage	CCT	Lens	Mounting Method
GTR-PT	M21	LO (30W)	SV (120V-277V)	GR = (5000K) [70CRI] BL = (4000K) [80CRI]	NL = No Lens 360s = Square Side Emitters T2 = Type II	PTFM
	M21	ML (40W)	SV (120V-277V)			
	M21	MH (50W)	SV (120V-277V)			
	M21	HI (60W)	SV (120V-277V)			
	5498	ML (75W)	SV (120V-277V) HV (347V-480V)			
	5498	MH (85W)	SV (120V-277V) HV (347V-480V)			
	5498	HI (95W)	SV (120V-277V) HV (347V-480V)			
	5498	HO (135W)	SV (120V-277V) HV (347V-480V)			

Please note, prices may change with quantity

Fully Compliant with ARRA Buy American Requirements. Made in the USA.