

M21 ECO Flood Light Fixture

GTL-AR-FL46-ECO-M21-G2

25W - 35W

Commonly Replaces
50W-75W HPS/MH/HID

Description:

Die cast aluminum housing and hinged top frame. Tempered clear flat glass lens. Textured architectural bronze powder coat finish over a chromate conversion coating.

 **Made in USA**
Buy American Act compliant

 **L70 > 150,000**
Third Party Tested

 **Rated IP67**
Optional

 **Dimming Capable**
Optional

 **RoHS compliant**
Materials



IES Files
Available at
globaltechled.com

Additional Information:

- Solstice LED Engine's Life Sync Programs: Lumen Depreciation Maintenance, Temperature Control, Under Voltage Lockout, and Optional 5-6-1 Energy Savings Program
- Soft Start
- Plug and Play wireless control transceiver, IoT compatible (optional)
- LED Chips operating up to 1100mA
- Smart Driver: SV and HV, IP66 Rated, IEC, UL class 2 power, Class A sound rating, minimum efficiency of 86%, and operates between -40°C and 50°C, 120-480V, 50Hz

Limited Warranty:

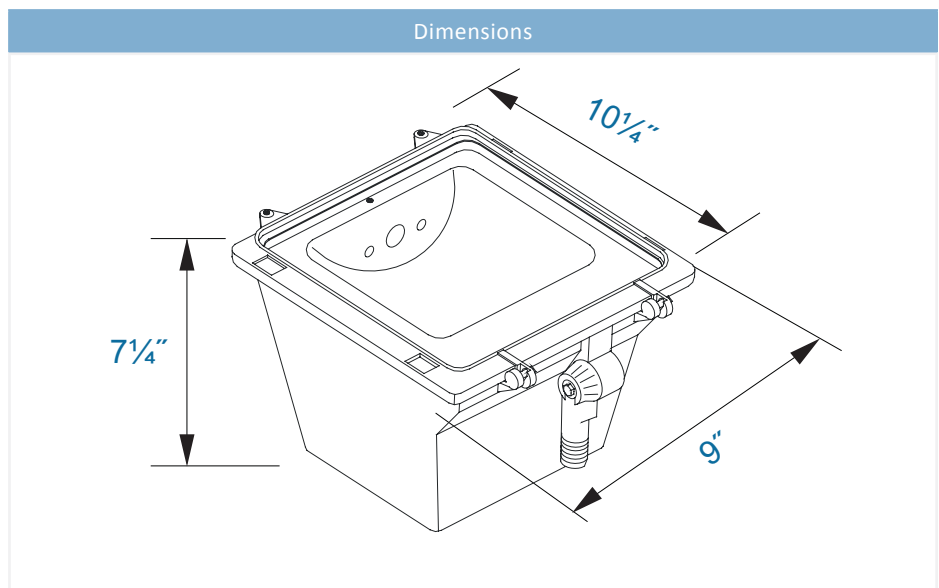
- 5 Year Engine Warranty
- 5 Year Driver Warranty

Applications:

- Area


Output	Wattage	Lumens	Efficacy (L/W)
ML	35	4000	120
LO	25	3000	120

Specifications			
Voltage Options:	SV (120V-277V) HV (277V-480V)	CCT:	BR 5000K, YW 4100K, BL 4000K, RD 3500K, PR 3000K, OR 2700K
Operating Temp:	-40° to 50° Celsius		
Power Factor:	>.90		
THD:	<20%	Surge Protection:	Required for ALL 347V-480V applications in order to qualify for warranty. Recommended for outdoor applications.
CRI:	80 (standard)		
Optics:	NL (no lens), 10D, 25D, 50D, 75D, 360s, T2, T3		



Ordering Information:

GTL-AR-FL46 - M21 - G2-ECO - ML - SV - GR - NL / GT-LSP-120



Fixture	Engine	Wattage	Voltage		CCT	Lens	Accs	
GTL-AR-FL46	M21 - G2-ECO	ML (35W)	SV (120V-277V)		BR ¹ (5000K) [80CRI]	NL = No Lens	FL45GL	
			HV (277V-480V)		YW (4100K) [70CRI]	10D = 10D Lens	FL45GS	
	M21 - G2-ECO	LO (25W)	SV (120V-277V)		BL ¹ (4000K) [80CRI]	25D = 25D Lens	FL45LG	
			HV (277V-480V)		RD (3500K) [80CRI]	50D = 50D Lens	FLSTK	
					PR (3000K) [95CRI]	75D = 75D Lens	FL45WG	
					OR (2700K) [80CRI]	360s = 360 Square Lens	FLPTF	
						T2 = Type II Lens	GT-LSP-120	
						T3 = Type III Lens	GT-LSP-240	
							GT-LSP-277	
							GT-LSP-347	
							GT-LSP-480	

Surge Protectors	
GT-LSP-120	Surge Protector. 120 V 10 kA Parallel. 20kA maximum discharge current.
GT-LSP-240	Surge Protector. 240 V 10 kA Parallel. 20kA maximum discharge current.
GT-LSP-277	Surge Protector. 277 V 10 kA Parallel. 20kA maximum discharge current.
GT-LSP-347	Surge Protector. 347 V 10 kA Parallel. 20kA maximum discharge current.
GT-LSP-480	Surge Protector. 480 V 10 kA Parallel. 20kA maximum discharge current.

Notes:

¹ Lead times for CCT options other than BR and BL may be increased