

# 5498 Pole Arm Fixture AR800

GTL-AR-AR800-5498-G2

## 75W - 120W

Commonly Replaces  
250W-400W HPS/MH/HID

### Description:

Ideal for building, back yards, parks, signs, sports field, parking lots and other general applications where floodlighting may come into use. Designed for either down lighting or up lighting. Internal louver for directing lights. Quick mount bracket included. Heavy duty aluminum housing with powder coating finished. Heat and impact resistant flat clear tempered glass. Weatherproof and durable silicone rubber gaskets.

 **Made in USA**  
Buy American Act compliant

 **L70 > 150,000**  
Third Party Tested

 **Rated IP67**  
Optional

 **Dimming Capable**  
Optional

 **RoHS compliant**  
Materials

 **UL Listed**  
US and Canada



**IES Files**  
Available at  
[globaltechled.com](http://globaltechled.com)

### Additional Information:

- Solstice LED Engine's Life Sync Programs: Lumen Depreciation Maintenance, Temperature Control, Under Voltage Lockout, and Optional 5-6-1 Energy Savings Program
- Patented Active Cooling and Vortex Heat Sink
- Soft Start
- Plug and Play wireless control transceiver, IoT compatible (optional)
- LED Chips operating up to 1100mA
- Smart Driver: SV and HV, IP66 Rated, IEC, UL class 2 power, Class A sound rating, minimum efficiency of 86%, and operates between -40°C and 50°C, 120-480V, 50Hz

### Limited Warranty:

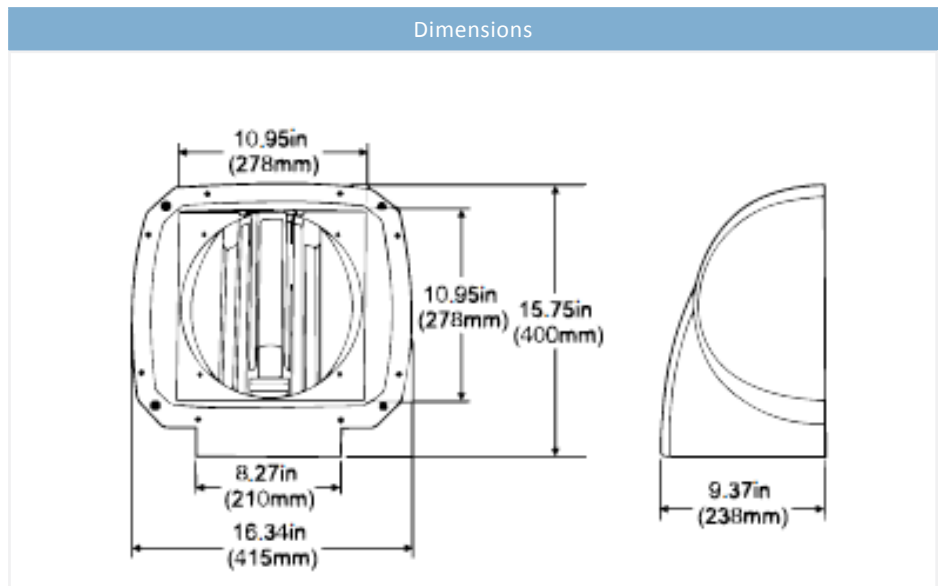
- 10 Year Engine Warranty
- 5 Year Driver Warranty

### Applications:

- Area


Output	Wattage	Lumens	Efficacy (L/W)
HO	120	13000	110
HI	95	11000	115
MH	85	10000	120
ML	75	9000	120

Specifications			
<b>Voltage Options:</b>	SV (120V-277V) HV (277V-480V)	<b>CCT:</b>	BR 5000K, YW 4100K, BL 4000K, RD 3500K, PR 3000K, OR 2700K, AMB 597nm
<b>Operating Temp:</b>	-40° to 50° Celsius		
<b>Power Factor:</b>	>.90		
<b>THD:</b>	<20%	<b>Surge Protection:</b>	Required for ALL 347V-480V applications in order to qualify for warranty. Recommended for outdoor applications.
<b>CRI:</b>	80 (standard)		
<b>Optics:</b>	NL (no lens), 10D, 25D, 50D, 75D, 360s, T2, T3		



## Ordering Information:

GTL-AR-AR800 - 5498 - G2 - HO - SV - BR - NL /



Fixture	Engine	Wattage	Voltage		CCT	Lens	Accs	
GTL-AR-AR800	5498 - G2	HO (120W)	SV (120V-277V)		BR <sup>1</sup> (5000K) [80CRI]	NL = No Lens	GT-LSP-120	
			HV (277V-480V)		YW (4100K) [70CRI]	10D = 10D Lens	GT-LSP-240	
	5498 - G2	HI (95W)	SV (120V-277V)		BL <sup>1</sup> (4000K) [80CRI]	25D = 25D Lens	GT-LSP-277	
			HV (277V-480V)		RD (3500K) [80CRI]	50D = 50D Lens	GT-LSP-347	
	5498 - G2	MH (85W)	SV (120V-277V)		PR (3000K) [95CRI]	75D = 75D Lens	GT-LSP-480	
			HV (277V-480V)		OR (2700K) [80CRI]	360s = 360 Square Lens	IP67 = 1x5498-G2*	
	5498 - G2	ML (75W)	SV (120V-277V)		AMB (Amber) <sup>†</sup>	T2 = Type II Lens		
			HV (277V-480V)			T3 = Type III Lens		

Surge Protectors	
GT-LSP-120	Surge Protector. 120 V 10 kA Parallel. 20kA maximum discharge current.
GT-LSP-240	Surge Protector. 240 V 10 kA Parallel. 20kA maximum discharge current.
GT-LSP-277	Surge Protector. 277 V 10 kA Parallel. 20kA maximum discharge current.
GT-LSP-347	Surge Protector. 347 V 10 kA Parallel. 20kA maximum discharge current.
GT-LSP-480	Surge Protector. 480 V 10 kA Parallel. 20kA maximum discharge current.

## Notes:

<sup>1</sup> Lead times for CCT options other than BR and BL may be increased

\* IP67 upgrade for Engine + fan (only NL, 10D, 25D, 50D & 75D)