

5498-G2 Flood Light Fixture FL50

GTL-AR-FL50-5498-G2

75W - 120W

Commonly Replaces
250W-400W HPS/MH/HID

Description:

Die cast aluminum housing and hinged top frame. Includes 1/2" coin plugs with O Rings for conduit & photocell with a tempered clear flat glass lens. Textured architectural bronze powder coat finish over a chromate conversion coating.

 **Made in USA**
Buy American Act compliant

 **L70 > 150,000**
Third Party Tested

 **Rated IP67**
Optional

 **Dimming Capable**
Optional

 **RoHS compliant**
Materials

 **UL Listed**
US and Canada



IES Files
Available at
globaltechled.com

Additional Information:

- Solstice LED Engine's Life Sync Programs: Lumen Depreciation Maintenance, Temperature Control, Under Voltage Lockout, and Optional 5-6-1 Energy Savings Program
- Patented Active Cooling and Vortex Heat Sink Soft Start
- Plug and Play wireless control transceiver, IoT compatible (optional)
- LED Chips operating up to 1100mA
- Smart Driver: SV and HV, IP66 Rated, IEC, UL class 2 power, Class A sound rating, minimum efficiency of 86%, and operates between -40°C and 50°C, 120-480V, 50Hz

Limited Warranty:

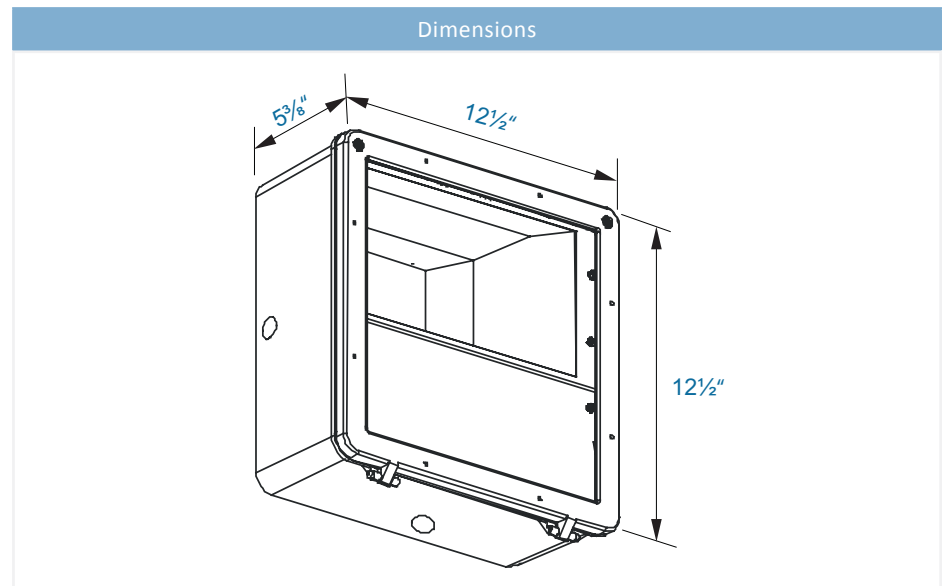
- 10 Year Engine Warranty
- 5 Year Driver Warranty

Applications:

- Area

Output	Wattage	Lumens	Efficacy (L/W)
HO	120	13000	110
HI	95	11000	115
MH	85	10000	120
ML	75	9000	120

Specifications			
Voltage Options:	SV (120V-277V) HV (277V-480V)	CCT:	BR 5000K, YW 4100K, BL 4000K, RD 3500K, PR 3000K, OR 2700K, AMB 597nm
Operating Temp:	-40° to 45° Celsius		
Power Factor:	>.90		
THD:	<20%	Surge Protection:	Required for ALL 347V-480V applications in order to qualify for warranty. Recommended for outdoor applications.
CRI:	80 (standard)		
Optics:	NL (no lens), 10D, 25D, 50D, 75D, 360s, T2, T3		



Ordering Information:

GTL-AR-FL50 - 5498 - G2 - HI - SV - BR - NL / FL50GS - IP67

Fixture	Engine	Wattage	Voltage		CCT	Lens	Accs	
GTL-AR-FL50	5498 - G2	HO (120W)	SV (120V-277V)		BR ¹ (5000K) [80CRI]	NL = No Lens	FL50GS	
			HV (277V-480V)		YW (4100K) [70CRI]	10D = 10D Lens	FL50LG	
	5498 - G2	HI (95W)	SV (120V-277V)		BL ¹ (4000K) [80CRI]	25D = 25D Lens	FL50WG	
			HV (277V-480V)		RD (3500K) [80CRI]	50D = 50D Lens	FL73BR	
	5498 - G2	MH (85W)	SV (120V-277V)		PR (3000K) [95CRI]	75D = 75D Lens	FL73SFX	
			HV (277V-480V)		OR (2700K) [80CRI]	360s = 360 Square Lens	FLEM6	
	5498 - G2	ML (75W)	SV (120V-277V)		GRO (Grow) [†]	T2 = Type II Lens	FLEM10	
			HV (277V-480V)		AMB (Amber) [†]	T3 = Type III Lens	FLEM12	
							PTASUNV	
							FLEMWM	
							P18130	
							P18131	
							P18132	
							P18140	
							P18142	
							P18150	
							P18152	
							IP67 = 5498 - G2*	
							GT-LSP-120	
							GT-LSP-240	
							GT-LSP-277	
							GT-LSP-347	
							GT-LSP-480	

Notes:

¹ Lead times for CCT options other than BR and BL may be increased

* IP67 upgrade for Engine + fan (only NL, 10D, 25D, 50D & 75D)