

Titan Sports Lighter

Solstice 112-G2

GTL-AR-TITAN-SP-112-G2

125W - 1020W

Commonly Replaces
750W-2000W HPS/MH/HID

Description:

Arguably the best sports lighter in the industry. Its sleek design, high efficiency, output and low price make it an appealing option for schools, parks, and sports fields. Able to produce more than 100,000 lumens. Additional options available upon request.

 **Made in USA**
Buy American Act compliant

 **L70 > 150,000**
Third Party Tested

 **Rated IP67**
Optional

 **Dimming Capable**
Optional

 **RoHS compliant**
Materials

 **UL Listed**
US and Canada



IES Files
Available at
globaltechled.com

Additional Information:

- Solstice LED Engine's Life Sync Programs: Lumen Depreciation Maintenance, Temperature Control, Under Voltage Lockout, and Optional 5-6-1 Energy Savings Program
- Patented Active Cooling and Vortex Heat Sink
- Soft Start
- Plug and Play wireless control transceiver, IoT compatible (optional)
- LED Chips operating up to 1100mA
- Smart Driver: SV and HV, IP66 Rated, IEC, UL class 2 power, Class A sound rating, minimum efficiency of 86%, and operates between -40°C and 50°C, 120-480V, 50Hz

Limited Warranty:

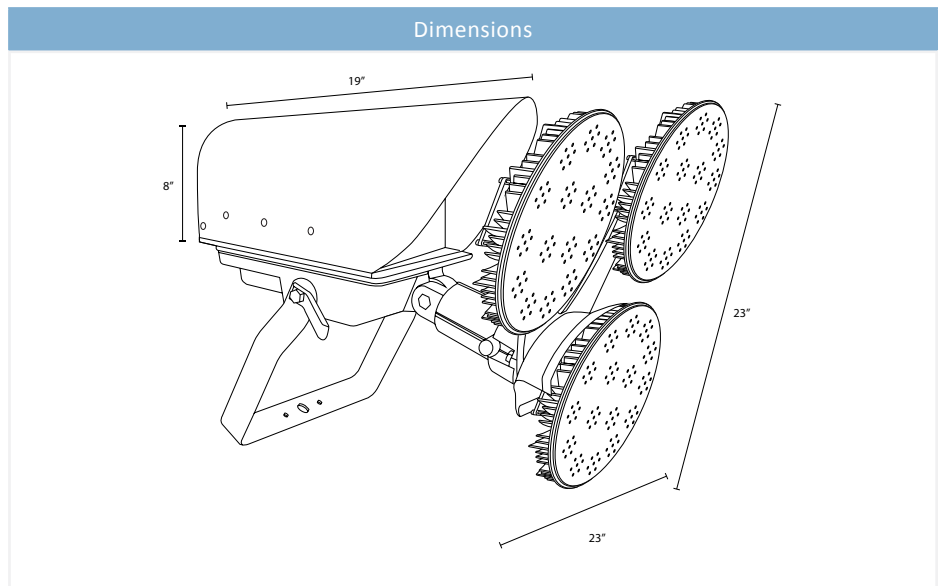
- 10 Year Engine Warranty
- 5 Year Driver Warranty

Applications:

- Sports


Output	Wattage	Lumens	Efficacy (L/W)
HO	340	39000	120
HI	300	35000	120
MH	240	31000	130
ML	200	26000	130
LO	125	15000	125

Specifications			
Voltage Options:	SV (120V-277V) HV (277V-480V)	CCT:	BR 5000K, BL 4000K, OR 2700K
Operating Temp:	-40° to 45° Celsius		
Power Factor:	>.90		
THD:	<20%	Surge Protection:	Required for ALL 347V-480V applications in order to qualify for warranty. Recommended for outdoor applications.
CRI:	80 (standard)		
Optics:	NL (no lens), 10D, 25D, 50D, 75D, 360s, T2, T3		



Ordering Information:

GTL-AR-TITAN-SP - 3x112 - G2 - HI - SV - BR - NL / IP67 - (3)GTP-SHROUD-112 - G2



Fixture	Engine	Wattage	Voltage		CCT	Lens	Accs	
GTL-AR-TITAN-SP	3x112 - G2+	HO (1020W)	SV (120V-277V)		BR ¹ (5000K) [80CRI]	NL = No Lens	SP50HY	
			HV (277V-480V)		BL ¹ (4000K) [80CRI]	10D = 10D Lens	SP50PT	
	3x112 - G2	HI (900W)	SV (120V-277V)		OR (2700K) [80CRI]	25D = 25D Lens	GT-LSP-120	
			HV (277V-480V)			50D = 50D Lens	GT-LSP-240	
	3x112 - G2	MH (720W)	SV (120V-277V)			75D = 75D Lens	GT-LSP-277	
			HV (277V-480V)			360s = 360 Square Lens	GT-LSP-347	
	2x112 - G2	HO (680W)	SV (120V-277V)			T2 = Type II Lens	GT-LSP-480	
			HV (277V-480V)			T3 = Type III Lens	RMB	
	2x112 - G2	HI (600W)	SV (120V-277V)				GTP-SHROUD-112 - G2	
			HV (277V-480V)				IP67* = 1x112 - G2	
	2x112 - G2	MH (520W)	SV (120V-277V)				IP67* = 2x112 - G2	
			HV (277V-480V)				IP67* = 3x112 - G2	
	2x112 - G2	ML (400W)	SV (120V-277V)					
			HV (277V-480V)					
	112 - G2	HO (340W)	SV (120V-277V)					
			HV (277V-480V)					
	112 - G2	HI (300W)	SV (120V-277V)					
			HV (277V-480V)					
	112 - G2	MH (240W)	SV (120V-277V)					
			HV (277V-480V)					
	112 - G2	ML (200W)	SV (120V-277V)					
			HV (277V-480V)					

Surge Protectors	
GT-LSP-120	Surge Protector. 120 V 10 kA Parallel. 20kA maximum discharge current.
GT-LSP-240	Surge Protector. 240 V 10 kA Parallel. 20kA maximum discharge current.
GT-LSP-277	Surge Protector. 277 V 10 kA Parallel. 20kA maximum discharge current.
GT-LSP-347	Surge Protector. 347 V 10 kA Parallel. 20kA maximum discharge current.
GT-LSP-480	Surge Protector. 480 V 10 kA Parallel. 20kA maximum discharge current.

Notes:

¹ Lead times for CCT options other than BR and BL may be increased

* IP67 upgrade for Engine + fan (only NL, 10D, 25D, 50D & 75D)

