

Mammoth Grow Light Fixture

GTL-GW-C500-5x5498-G2

475W

Commonly Replaces
1000W HPS/MH/HID

Description:

The Mammoth-C500 is a revolutionary new horticultural growing system. Utilizing mainly red and blue spectrum's of light supported by two tubes of UV light, the light emitted from this fixture is as efficient as possible. Overhead High PAR and side fill Mid PAR versions available. PAR Values range from 310-850+ based on optical distribution.

 **Made in USA**
Buy American Act compliant

 **L70 > 150,000**
Third Party Tested

 **Rated IP67**
Optional

 **Dimming Capable**
Optional

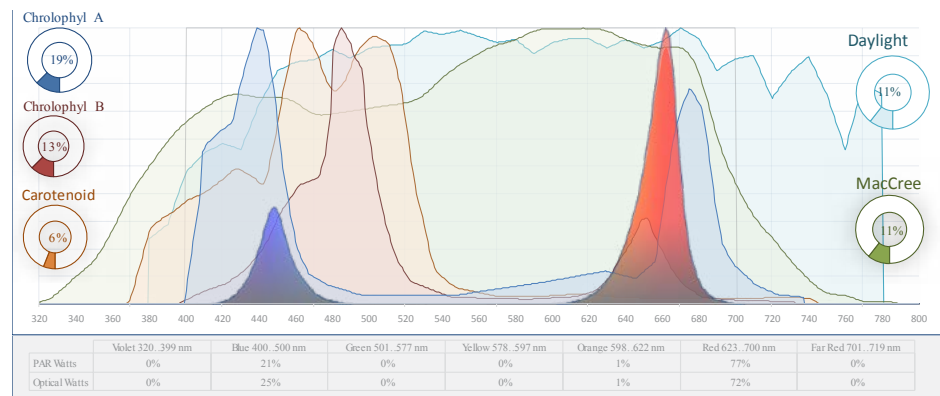
 **RoHS compliant**
Materials



 **UL Listed**
US and Canada



IES Files
Available at
globaltechled.com



Additional Information:

- Solstice LED Engine's Life Sync Programs: Lumen Depreciation Maintenance, Temperature Control, Under Voltage Lockout, and Optional 5-6-1 Energy Savings Program
- Patented Active Cooling and Vortex Heat Sink
- Soft Start
- Plug and Play wireless control transceiver, IoT compatible (optional)
- LED Chips operating up to 1100mA
- Smart Driver: SV and HV, IP66 Rated, IEC, UL class 2 power, Class A sound rating, minimum efficiency of 86%, and operates between -40°C and 50°C, 120-480V, 50Hz

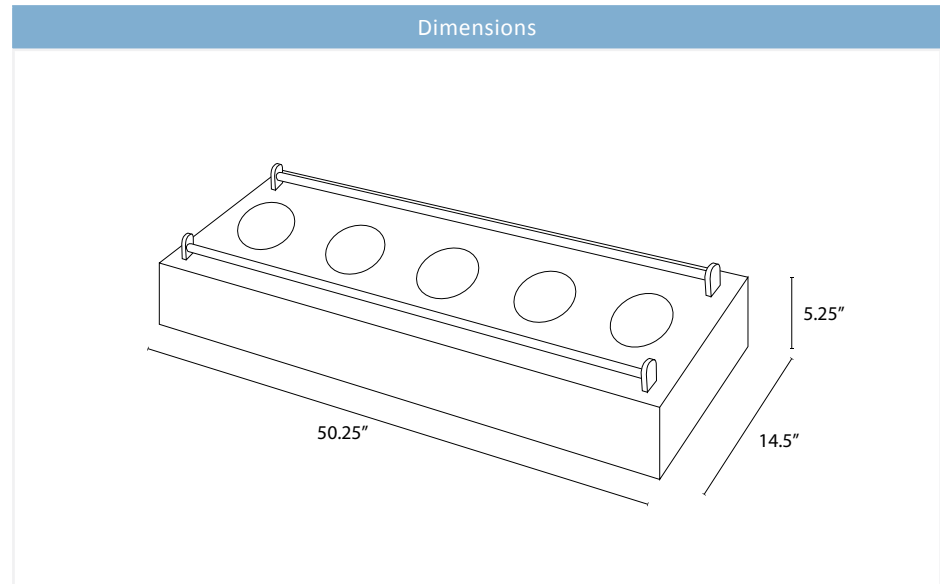
Limited Warranty:

- 10 Year Engine Warranty
- 5 Year Driver Warranty

Applications:


- Grow Light

Specifications			
Voltage Options:	SV (120V-277V) HV (277V-480V)	CCT:	GRO ~460nm & ~640nm
Operating Temp:	-40° to 45° Celsius		
Power Factor:	>.90		
THD:	<20%	Surge Protection:	Required for ALL 347V-480V applications in order to qualify for warranty. Recommended for outdoor applications.
CRI:	80 (standard)		
Optics:	25D, 50D		



Ordering Information:

GTL-GW-C500 - 5x5498 - G2 - HI - SV - GRO - 50D / (2)GT-SAFETY-CABLE-4'



Fixture	Engine	Wattage	Voltage		CCT	Lens	Accs	
GTL-GW-C500	5x5498 - G2	HI (475W)	SV (120V-277V)		GRO (Grow)	25D = High PAR Value	IP67* = 5x5498 - G2	
			HV (347V-480V)			50D = Mid PAR Value	GT-SAFETY-CABLE-3'	
							GT-SAFETY-CABLE-4'	
							GT-LSP-120	
							GT-LSP-240	
							GT-LSP-277	
							GT-LSP-347	
							GT-LSP-480	

Surge Protectors	
GT-LSP-120	Surge Protector. 120 V 10 kA Parallel. 20kA maximum discharge current.
GT-LSP-240	Surge Protector. 240 V 10 kA Parallel. 20kA maximum discharge current.
GT-LSP-277	Surge Protector. 277 V 10 kA Parallel. 20kA maximum discharge current.
GT-LSP-347	Surge Protector. 347 V 10 kA Parallel. 20kA maximum discharge current.
GT-LSP-480	Surge Protector. 480 V 10 kA Parallel. 20kA maximum discharge current.

Notes:

¹ Lead times for CCT options other than BR and BL may be increased

* IP67 upgrade for Engine + fan (only NL, 10D, 25D, 50D & 75D)