

Atlas High Bay

5498-G2 Fixture

GTL-HB-ATLAS-5498-G2

75W - 120W

 **Made in USA**
Buy American Act compliant

 **L70 > 150,000**
Third Party Tested

 **Rated IP67**
Optional

 **Dimming Capable**
Optional

 **RoHS compliant**
Materials

 **UL Listed**
US and Canada



IES Files
Available at
globaltechled.com

Commonly Replaces
250W-400W HPS/MH/HID

Description:

The Atlas is an innovative, small footprint LED high bay fixture. It's the ideal replacement for existing CFL and HID high bays in retail, commercial, and new construction applications. Capable of delivering super bright light at tremendous distances. The sleek architectural profile can be enhanced with custom colors, call us to find out more.

Output	Wattage	Lumens	Efficacy (L/W)
HO	120	13000	110
HI	95	11000	115
MH	85	10000	120
ML	75	9000	120

Additional Information:

- Solstice LED Engine's Life Sync Programs: Lumen Depreciation Maintenance, Temperature Control, Under Voltage Lockout, and Optional 5-6-1 Energy Savings Program
- Patented Active Cooling and Vortex Heat Sink
- Soft Start
- Plug and Play wireless control transceiver, IoT compatible (optional)
- LED Chips operating up to 1100mA
- Smart Driver: SV and HV, IP66 Rated, IEC, UL class 2 power, Class A sound rating, minimum efficiency of 86%, and operates between -40°C and 50°C, 120-480V, 50Hz

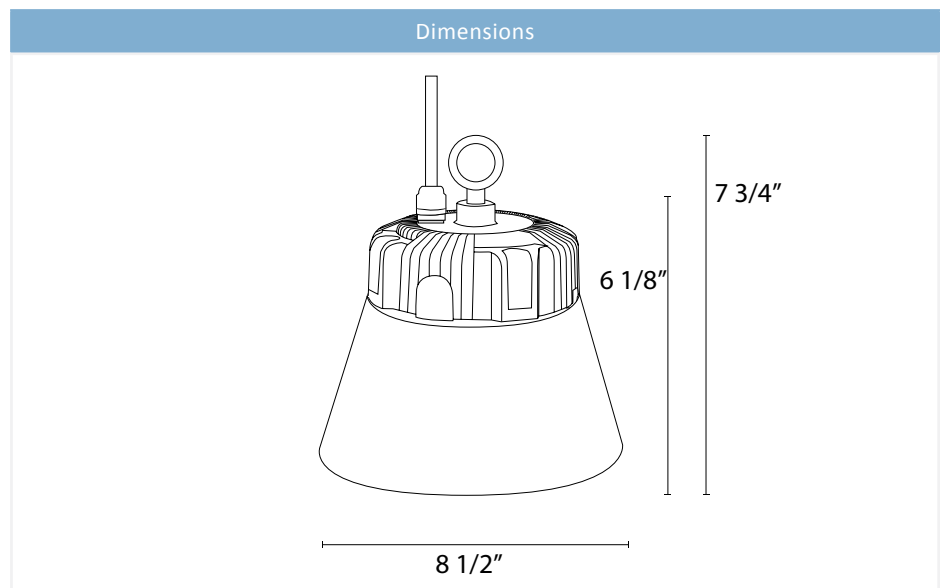
Limited Warranty:

- 10 Year Engine Warranty
- 5 Year Driver Warranty

Applications:

- High Bay

Specifications			
Voltage Options:	SV (120V-277V) HV (277V-480V)	CCT:	BR 5000K, YW 4100K, BL 4000K, RD 3500K, PR 3000K, OR 2700K, GRO 460nm & 640nm, AMB 597nm, AQU 467nm 57000K, RYB 467nm
Operating Temp:	-40° to 40° Celsius	Surge Protection:	Required for ALL 347V-480V applications in order to qualify for warranty. Recommended for outdoor applications.
Power Factor:	>.90	THD:	<20%
CRI:	80 (standard)	Optics:	NL (no lens), 10D, 25D, 50D, 75D, 360s, T2, T3



Ordering Information:

GTL-HB-ATLAS - 5498 - G2 - HO - SV - GR - NL / GT-LSP-120 - IP67

Fixture	Engine	Wattage	Voltage		CCT	Lens	Accs	
GTL-HB-ATLAS	5498 - G2	HO (120W)	SV (120V-277V)		BR ¹ (5000K) [80CRI]	NL = No Lens	IP67 = 5498 - G2	
					YW (4100K) [70CRI]	10D = 10D Lens	GT-LSP-120	
	5498 - G2	HI (95W)	SV (120V-277V)		BL ¹ (4000K) [80CRI]	25D = 25D Lens	GT-LSP-240	
					RD (3500K) [80CRI]	50D = 50D Lens	GT-LSP-277	
	5498 - G2	MH (85W)	SV (120V-277V)		PR (3000K) [95CRI]	75D = 75D Lens	GT-PENDANT	
					OR (2700K) [80CRI]	360s = 360 Square Lens	"RAL#" ††	
	5498 - G2	ML (75W)	SV (120V-277V)		GRO (Grow)†	T2 = Type II Lens	GT-PENDANT-KIT-3/8-16X6" Black	
					AMB (Amber)†	T3 = Type III Lens	GT-PENDANT-KIT-3/8-16X12" Black	
					AQU (Aquarium)†		GT-PENDANT-KIT-3/8-16X18" Black	
					RYB (Royal Blue)†		GT-PENDANT-KIT-3/8-16X24" Black	
							GT-PENDANT-KIT-3/8-16X30" Black	
							GT-PENDANT-KIT-3/8-16X36" Black	

Surge Protectors	
GT-LSP-120	Surge Protector. 120 V 10 kA Parallel. 20kA maximum discharge current.
GT-LSP-240	Surge Protector. 240 V 10 kA Parallel. 20kA maximum discharge current.
GT-LSP-277	Surge Protector. 277 V 10 kA Parallel. 20kA maximum discharge current.
GT-LSP-347	Surge Protector. 347 V 10 kA Parallel. 20kA maximum discharge current.
GT-LSP-480	Surge Protector. 480 V 10 kA Parallel. 20kA maximum discharge current.

Notes:

¹ Lead times for CCT options other than BR and BL may be increased

* IP67 upgrade for Engine + fan (only NL, 10D, 25D, 50D & 75D)