

# 16" Gemini High Bay Fixture

GTL-HB-G16-112-G2

## 125W - 240W

Commonly Replaces  
400W-750W HPS/MH/HID

### Description:

The Gemini is an innovative, small footprint LED high bay fixture. It's the ideal replacement for existing CFL and HID high bays in retail, commercial, and new construction applications. Capable of delivering super bright light at tremendous distances. The sleek architectural profile can be enhanced with custom colors, call us to find out more.



**IES Files**  
Available at  
[globaltechled.com](http://globaltechled.com)

### Additional Information:

- Solstice LED Engine's Life Sync Programs: Lumen Depreciation Maintenance, Temperature Control, Under Voltage Lockout, and Optional 5-6-1 Energy Savings Program
- Patented Active Cooling and Vortex Heat Sink
- Soft Start
- Plug and Play wireless control transceiver, IoT compatible (optional)
- LED Chips operating up to 1100mA
- Smart Driver: SV and HV, IP66 Rated, IEC, UL class 2 power, Class A sound rating, minimum efficiency of 86%, and operates between -40°C and 50°C, 120-480V, 50Hz

### Limited Warranty:

- 10 Year Engine Warranty
- 5 Year Driver Warranty

### Applications:

- High Bay

  
**Made in USA**  
Buy American Act compliant

  
**L70 > 150,000**  
Third Party Tested

  
**Rated IP67**  
Optional

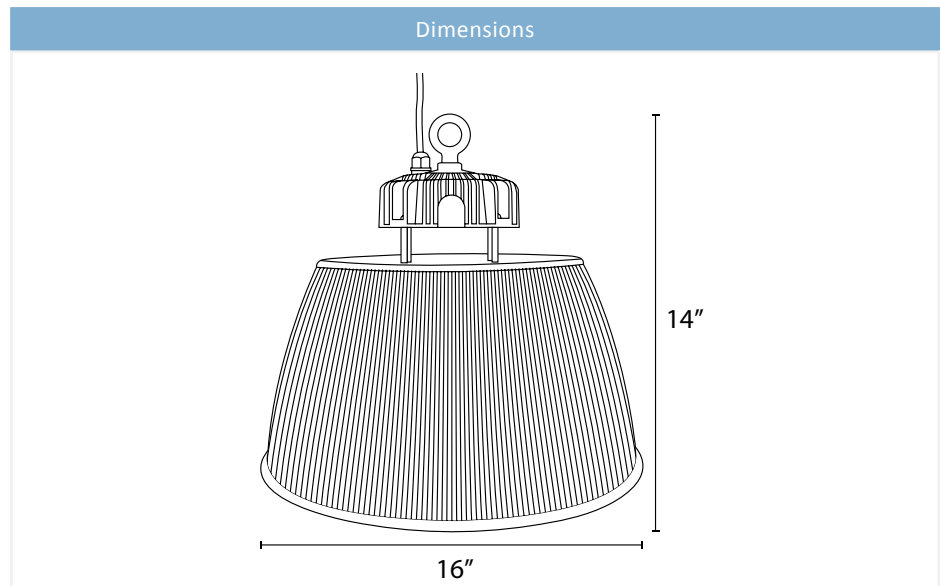
  
**Dimming Capable**  
Optional

  
**RoHS compliant**  
Materials

  
**UL Listed**  
US and Canada


Output	Wattage	Lumens	Efficacy (L/W)
MH	240	31000	130
ML	200	26000	130
LO	125	15000	125

Specifications			
<b>Voltage Options:</b>	SV (120V-277V) HV (277V-480V)	<b>CCT:</b>	BR 5000K, YW 4100K, BL 4000K, RD 3500K, PR 3000K, OR 2700K
<b>Operating Temp:</b>	-40° to 45° Celsius		
<b>Power Factor:</b>	>.90		
<b>THD:</b>	<20%	<b>Surge Protection:</b>	Required for ALL 347V-480V applications in order to qualify for warranty. Recommended for outdoor applications.
<b>CRI:</b>	80 (standard)		
<b>Optics:</b>	NL (no lens), 10D, 25D, 50D, 75D, 360s, T2, T3		



## Ordering Information:

GTL-HB-G16 - 112 - G2 - MH - SV - GR - NL / GT-LSP-120 - IP67



Fixture	Engine	Wattage	Voltage		CCT	Lens	Accs	
GTL-HB-G16	112 - G2**	MH (240W)	SV (120V-277V)		BR <sup>1</sup> (5000K) [80CRI]	NL = No Lens	IP67 = M21 - G2	
					YW (4100K) [70CRI]	10D = 10D Lens	GT-LSP-120	
	112 - G2**	ML (200W)	SV (120V-277V)		BL <sup>1</sup> (4000K) [80CRI]	25D = 25D Lens	GT-LSP-240	
					RD (3500K) [80CRI]	50D = 50D Lens	GT-LSP-277	
					PR (3000K) [95CRI]	75D = 75D Lens	WHT	
	112 - G2**	LO (125W)	SV (120V-277V)		OR (2700K) [80CRI]	360s = 360 Square Lens	CLR	
						T2 = Type II Lens	GT-S16-CDL-ACR-CL	
			SV (120V-277V)			T3 = Type III Lens	GT-S16-CDL-ACR-FR	
							GT-S16-CDL-POL	
							GT-S16-DL-ACR	
							GT-S16-DL-POL	
							GT-S16-SFL-ACR-CL	
							GT-S16-SFL-ACR-FR	
							GT-S16-SFL-POL	
							GT-S16CB	
							GT-S16WG	
							GT-PLUG-120	
							GT-PLUG-277	
							GT-PENDANT	
							GT-S16-PC-CLR	
							GT-S16-PC-WHT	

Surge Protectors	
GT-LSP-120	Surge Protector. 120 V 10 kA Parallel. 20kA maximum discharge current.
GT-LSP-240	Surge Protector. 240 V 10 kA Parallel. 20kA maximum discharge current.
GT-LSP-277	Surge Protector. 277 V 10 kA Parallel. 20kA maximum discharge current.
GT-LSP-347	Surge Protector. 347 V 10 kA Parallel. 20kA maximum discharge current.
GT-LSP-480	Surge Protector. 480 V 10 kA Parallel. 20kA maximum discharge current.

## Notes:

<sup>1</sup> Lead times for CCT options other than BR and BL may be increased

\* IP67 upgrade for Engine + fan (only NL, 10D, 25D, 50D & 75D)