

22" Acrylic High Bay Fixture 5498-G2

GTL-HB-HB11ACR22-5498-G2

75W - 480W

Commonly Replaces
250W-1000+W HPS/MH/HID

Description:

High performance LED high bay fixture. Simply hook to ceiling and plug into power box or input line voltage. Ask about addition voltage options.



IES Files
Available at
globaltechled.com

Additional Information:

- Solstice LED Engine's Life Sync Programs: Lumen Depreciation Maintenance, Temperature Control, Under Voltage Lockout, and Optional 5-6-1 Energy Savings Program
- Patented Active Cooling and Vortex Heat Sink
- Soft Start
- Plug and Play wireless control transceiver, IoT compatible (optional)
- LED Chips operating up to 1100mA
- Smart Driver: SV and HV, IP66 Rated, IEC, UL class 2 power, Class A sound rating, minimum efficiency of 86%, and operates between -40°C and 50°C, 120-480V, 50Hz

Limited Warranty:

- 10 Year Engine Warranty
- 5 Year Driver Warranty

Applications:

- High Bay

 **Made in USA**
Buy American Act compliant

 **L70 > 150,000**
Third Party Tested

 **Rated IP67**
Optional

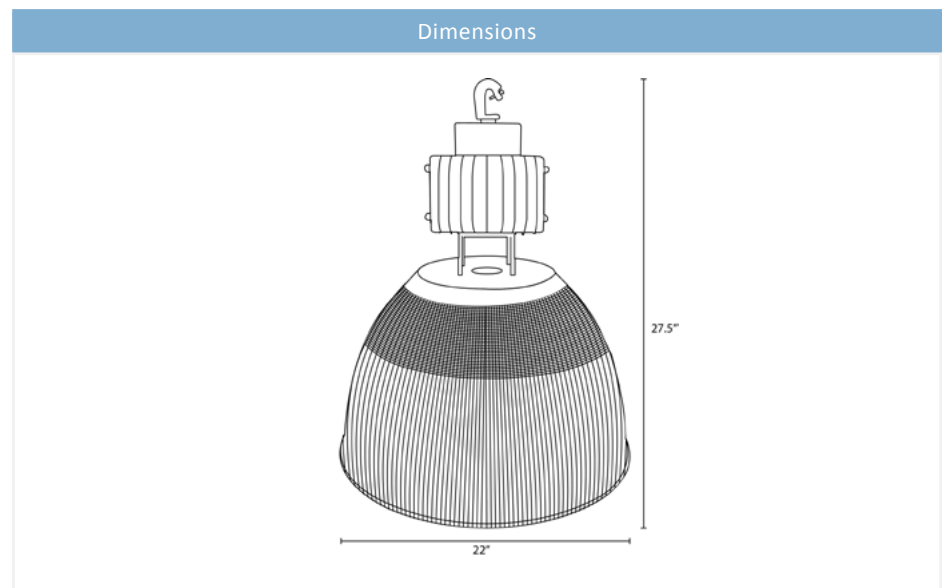
 **Dimming Capable**
Optional

 **RoHS compliant**
Materials

 **UL Listed**
US and Canada

Output	Wattage	Lumens	Efficacy (L/W)
HO	120	13000	110
HI	95	11000	115
MH	85	10000	120
ML	75	9000	120

Specifications			
Voltage Options:	SV (120V-277V) HV (277V-480V)	CCT:	BR 5000K, YW 4100K, BL 4000K, RD 3500K, PR 3000K, OR 2700K
Operating Temp:	-40° to 45° Celsius		
Power Factor:	>.90		
THD:	<20%	Surge Protection:	Required for ALL 347V-480V applications in order to qualify for warranty. Recommended for outdoor applications.
CRI:	80 (standard)		
Optics:	NL (no lens), 10D, 25D, 50D, 75D, 360s, T2, T3		



Ordering Information:

GTL-HB-HB11ACR22 - 5498 - G2 - HI - HV - GR - 360s /

Fixture	Engine	Wattage	Voltage		CCT	Lens	Accs	
GTL-HB-HB11ACR22	4x5498 - G2	HO (480W)	SV (120V-277V)		BR ¹ (5000K) [80CRI]	NL = No Lens	HBCB16	
			HV (277V-480V)		BL ¹ (4000K) [80CRI]	10D = 10D Lens	HBAR16WG	
	4x5498 - G2	HI (380W)	SV (120V-277V)		YW (4100K) [70CRI]	25D = 25D Lens	CPMH1	
			HV (277V-480V)		RD (3500K) [80CRI]	50D = 50D Lens	CPCS1633	
	4x5498 - G2	MH (340W)	SV (120V-277V)		PR (3000K) [95CRI]	75D = 75D Lens	CPCS1633P110	
			HV (277V-480V)		OR (2700K) [80CRI]	360s = 360 Square Lens	CPCS1633P120	
	4x5498 - G2	ML (300W)	SV (120V-277V)		GRO (Grow)†	T2 = Type II Lens	CPCS1633P240	
			HV (277V-480V)		AMB (Amber)†	T3 = Type III Lens	CPCS1633P277	
	3x5498 - G2	HO (360W)	SV (120V-277V)		AQU (Aquarium)†		IP67 = M21 - G2*	
			HV (277V-480V)		RYB (Royal Blue)†		GT-LSP-120	
	3x5498 - G2	HI (285W)	SV (120V-277V)				GT-LSP-240	
			HV (277V-480V)				GT-LSP-277	
	3x5498 - G2	MH (255W)	SV (120V-277V)				GT-LSP-347	
			HV (277V-480V)				GT-LSP-480	
	3x5498 - G2	ML (225W)	SV (120V-277V)					
			HV (277V-480V)					
	2x5498 - G2	HO (240W)	SV (120V-277V)					
			HV (277V-480V)					
	2x5498 - G2	HI (190W)	SV (120V-277V)					
			HV (277V-480V)					
	2x5498 - G2	MH (170W)	SV (120V-277V)					
			HV (277V-480V)					
	2x5498 - G2	ML (150W)	SV (120V-277V)					
			HV (277V-480V)					
	5498 - G2	HO (120W)	SV (120V-277V)					
			HV (277V-480V)					
	5498 - G2	HI (95W)	SV (120V-277V)					
			HV (277V-480V)					
	5498 - G2	MH (85W)	SV (120V-277V)					
			HV (277V-480V)					
	5498 - G2	ML (75W)	SV (120V-277V)					
			HV (277V-480V)					

Surge Protectors	
GT-LSP-120	Surge Protector. 120 V 10 kA Parallel. 20kA maximum discharge current.
GT-LSP-240	Surge Protector. 240 V 10 kA Parallel. 20kA maximum discharge current.
GT-LSP-277	Surge Protector. 277 V 10 kA Parallel. 20kA maximum discharge current.
GT-LSP-347	Surge Protector. 347 V 10 kA Parallel. 20kA maximum discharge current.
GT-LSP-480	Surge Protector. 480 V 10 kA Parallel. 20kA maximum discharge current.

Notes:

¹ Lead times for CCT options other than BR and BL may be increased

* IP67 upgrade for Engine + fan (only NL, 10D, 25D, 50D & 75D)