

# M21-G2 Surface Mount Fixture TGL40

GTL-PG-TGL40-M21-G2

## 25W - 55W

Commonly Replaces  
50W-175W HPS/MH/HID

### Description:

Round die cast aluminum garage lighter with powder coat finish, white powder coat steel reflector, and extended clear prismatic polycarbonate lens. Features a built-in template for mounting to an electrical box and can be used with our Quick-Mount bracket.

 **Made in USA**  
Buy American Act compliant

 **L70 > 150,000**  
Third Party Tested

 **Rated IP67**  
Optional

 **Dimming Capable**  
Optional

 **RoHS compliant**  
Materials

 **UL Listed**  
US and Canada



**IES Files**  
Available at  
[globaltechled.com](http://globaltechled.com)

### Additional Information:

- Solstice LED Engine's Life Sync Programs: Lumen Depreciation Maintenance, Temperature Control, Under Voltage Lockout, and Optional 5-6-1 Energy Savings Program
- Patented Active Cooling and Vortex Heat Sink Soft Start
- Plug and Play wireless control transceiver, IoT compatible (optional)
- LED Chips operating up to 1100mA
- Smart Driver: SV and HV, IP66 Rated, IEC, UL class 2 power, Class A sound rating, minimum efficiency of 86%, and operates between -40°C and 50°C, 120-480V, 50Hz

### Limited Warranty:

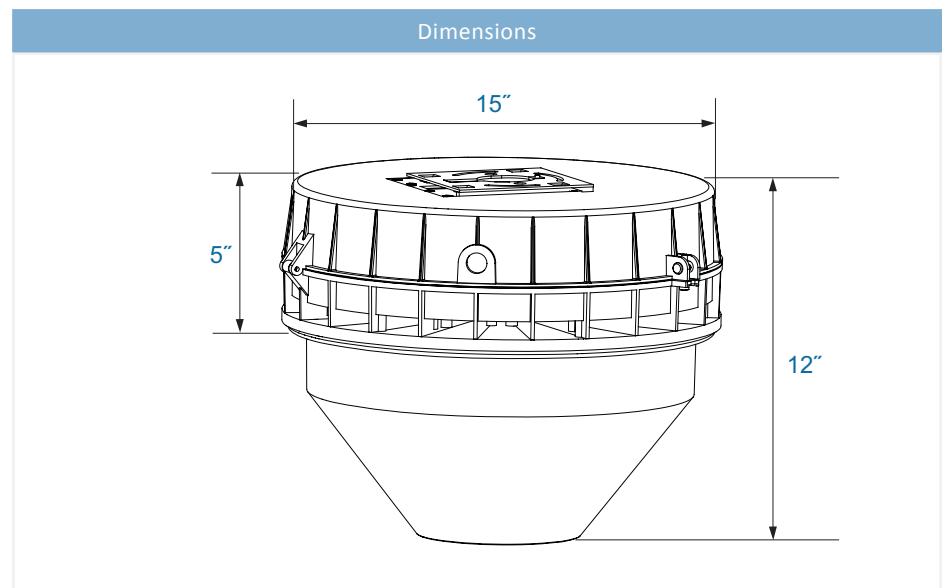
- 10 Year Engine Warranty
- 5 Year Driver Warranty

### Applications:

- Parking Garage
- Canopy


| Output | Wattage | Lumens | Efficacy (L/W) |
|--------|---------|--------|----------------|
| HI     | 55      | 6000   | 110            |
| MH     | 45      | 5000   | 115            |
| ML     | 35      | 4000   | 120            |
| LO     | 25      | 3000   | 120            |

| Specifications          |  |                          |   |
|-------------------------|--|--------------------------|---|
| <b>Voltage Options:</b> | SV (120V-277V)<br>HV (277V-480V)               | <b>CCT:</b>              | BR 5000K, YW 4100K, BL 4000K, RD 3500K, PR 3000K, OR 2700K  |
| <b>Operating Temp:</b>  | -40° to 45° Celsius                            |                          |   |
| <b>Power Factor:</b>    | >.90   |                          |   |
| <b>THD:</b>             | <20%   | <b>Surge Protection:</b> | Required for ALL 347V-480V applications in order to qualify for warranty. Recommended for outdoor applications. |
| <b>CRI:</b>             | 80 (standard)                                  |                          |   |
| <b>Optics:</b>          | NL (no lens), 10D, 25D, 50D, 75D, 360s, T2, T3 |                          |   |



## Ordering Information:

### GTL-PG-TGL40 - M21 - G2 - MH - HV - PR - 360s / GT-LSP-480



| Fixture      | Engine   | Wattage  | Voltage        |  | CCT                             | Lens                   | Accs             |  |
|--------------|----------|----------|----------------|--|---------------------------------|------------------------|------------------|--|
| GTL-PG-TGL40 | M21 - G2 | HI (55W) | SV (120V-277V) |  | BR <sup>1</sup> (5000K) [80CRI] | NL = No Lens           | VNGL40PC         |  |
|              |          |          | HV (277V-480V) |  | YW (4100K) [70CRI]              | 10D = 10D Lens         | VNPM             |  |
|              | M21 - G2 | MH (45W) | SV (120V-277V) |  | BL <sup>1</sup> (4000K) [80CRI] | 25D = 25D Lens         | IP67 = M21 - G2* |  |
|              |          |          | HV (277V-480V) |  | RD (3500K) [80CRI]              | 50D = 50D Lens         | GT-LSP-120       |  |
|              | M21 - G2 | ML (35W) | SV (120V-277V) |  | PR (3000K) [95CRI]              | 75D = 75D Lens         | GT-LSP-240       |  |
|              |          |          | HV (277V-480V) |  | OR (2700K) [80CRI]              | 360s = 360 Square Lens | GT-LSP-277       |  |
|              | M21 - G2 | LO (25W) | SV (120V-277V) |  | GRO (Grow) <sup>†</sup>         | T2 = Type II Lens      | GT-LSP-347       |  |
|              |          |          | HV (277V-480V) |  | AMB (Amber) <sup>†</sup>        | T3 = Type III Lens     | GT-LSP-480       |  |
|              |          |          |                |  | AQU (Aquarium) <sup>†</sup>     |                        |                  |  |
|              |          |          |                |  | RYB (Royal Blue) <sup>†</sup>   |                        |                  |  |

| Surge Protectors |  |
|------------------|--|
| GT-LSP-120       | Surge Protector. 120 V 10 kA Parallel. 20kA maximum discharge current. |
| GT-LSP-240       | Surge Protector. 240 V 10 kA Parallel. 20kA maximum discharge current. |
| GT-LSP-277       | Surge Protector. 277 V 10 kA Parallel. 20kA maximum discharge current. |
| GT-LSP-347       | Surge Protector. 347 V 10 kA Parallel. 20kA maximum discharge current. |
| GT-LSP-480       | Surge Protector. 480 V 10 kA Parallel. 20kA maximum discharge current. |

## Notes:

<sup>1</sup> Lead times for CCT options other than BR and BL may be increased  
 \* IP67 upgrade for Engine + fan (only NL, 10D, 25D, 50D & 75D)