

# M21-G2 Post Top Finial Fixture 88266

GTL-PT-88266-M21-G2

## 25W - 55W

Commonly Replaces  
50W-175W HPS/MH/HID

### Description:

Acorn Post Top Fixture with Threaded Rod and Finial Mount. Fits most standard poles.



**IES Files**  
Available at  
[globaltechled.com](http://globaltechled.com)

### Additional Information:

- Solstice LED Engine's Life Sync Programs: Lumen Depreciation Maintenance, Temperature Control, Under Voltage Lockout, and Optional 5-6-1 Energy Savings Program
- Patented Active Cooling and Vortex Heat Sink
- Soft Start
- Plug and Play wireless control transceiver, IoT compatible (optional)
- LED Chips operating up to 1100mA
- Smart Driver: SV and HV, IP66 Rated, IEC, UL class 2 power, Class A sound rating, minimum efficiency of 86%, and operates between -40°C and 50°C, 120-480V, 50Hz

### Limited Warranty:

- 10 Year Engine Warranty
- 5 Year Driver Warranty

### Applications:

- Post Top

 **Made in USA**  
Buy American Act compliant

 **L70 > 150,000**  
Third Party Tested

 **Rated IP67**  
Optional

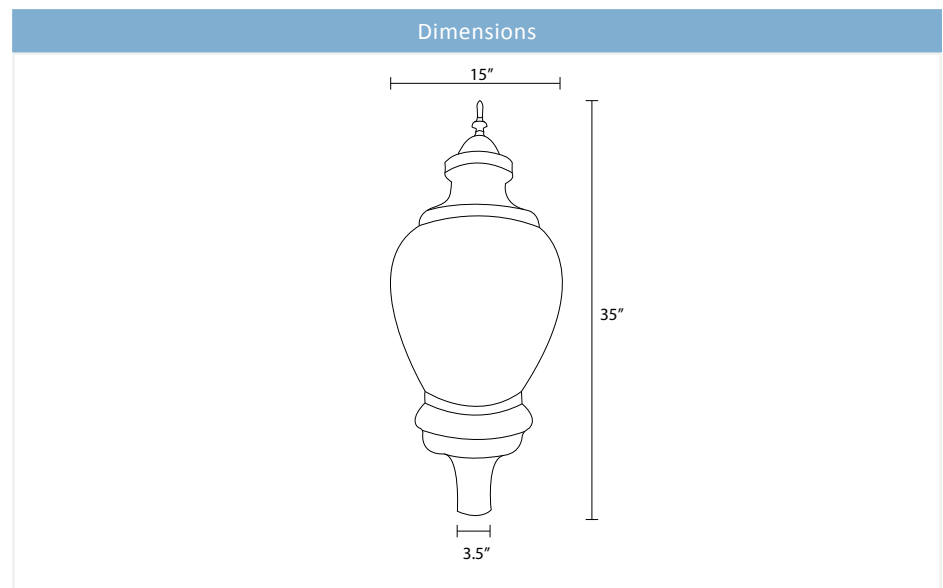
 **Dimming Capable**  
Optional

 **RoHS compliant**  
Materials

 **UL Listed**  
US and Canada


Output	Wattage	Lumens	Efficacy (L/W)
HI	55	6000	110
MH	45	5000	115
ML	35	4000	120
LO	25	3000	120

Specifications			
<b>Voltage Options:</b>	SV (120V-277V) HV (277V-480V)	<b>CCT:</b>	BR 5000K, YW 4100K, BL 4000K, RD 3500K, PR 3000K, OR 2700K, AMB 597nm
<b>Operating Temp:</b>	-40° to 45° Celsius		
<b>Power Factor:</b>	>.90		
<b>THD:</b>	<20%	<b>Surge Protection:</b>	Required for ALL 347V-480V applications in order to qualify for warranty. Recommended for outdoor applications.
<b>CRI:</b>	80 (standard)		
<b>Optics:</b>	NL (no lens), 10D, 25D, 50D, 75D, 360s, T2, T3		



## Ordering Information:

GTL-PT-88266 - M21 - G2 - HI - SV - GR - NL / GT-FINIAL - GT-LSP-120



Fixture	Engine	Wattage	Voltage		CCT	Lens	Accs	
GTL-PT-88266	M21 - G2	HI (55W)	SV (120V-277V)		BR <sup>1</sup> (5000K) [80CRI]	NL = No Lens	GT-FINIAL	
			HV (277V-480V)		YW (4100K) [70CRI]	10D = 10D Lens	IP67 = M21 - G2*	
	M21 - G2	MH (45W)	SV (120V-277V)		BL <sup>1</sup> (4000K) [80CRI]	25D = 25D Lens	GT-LSP-120	
			HV (277V-480V)		RD (3500K) [80CRI]	50D = 50D Lens	GT-LSP-240	
	M21 - G2	ML (35W)	SV (120V-277V)		PR (3000K) [95CRI]	75D = 75D Lens	GT-LSP-277	
			HV (277V-480V)		OR (2700K) [80CRI]	360s = 360 Square Lens	GT-LSP-347	
	M21 - G2	LO (25W)	SV (120V-277V)		AMB (Amber) <sup>†</sup>	T2 = Type II Lens	GT-LSP-480	
			HV (277V-480V)			T3 = Type III Lens		

Surge Protectors	
GT-LSP-120	Surge Protector. 120 V 10 kA Parallel. 20kA maximum discharge current.
GT-LSP-240	Surge Protector. 240 V 10 kA Parallel. 20kA maximum discharge current.
GT-LSP-277	Surge Protector. 277 V 10 kA Parallel. 20kA maximum discharge current.
GT-LSP-347	Surge Protector. 347 V 10 kA Parallel. 20kA maximum discharge current.
GT-LSP-480	Surge Protector. 480 V 10 kA Parallel. 20kA maximum discharge current.

## Notes:

<sup>1</sup> Lead times for CCT options other than BR and BL may be increased

\* IP67 upgrade for Engine + fan (only NL, 10D, 25D, 50D & 75D)