

Sports Lighter

SP-50AR19 5498-G2

GTL-SP-50AR19-5498-G2

75W - 240W

Commonly Replaces
250W-750W HPS/MH/HID

Description:

Global Tech LED's 19" Sports Lighter fixture illuminates the night using the new Solstice Titan Engine, or a combination of Solstices.

 **Made in USA**
Buy American Act compliant

 **L70 > 150,000**
Third Party Tested

 **Rated IP67**
Optional

 **Dimming Capable**
Optional

 **RoHS compliant**
Materials

 **UL Listed**
US and Canada



IES Files
Available at
globaltechled.com

Additional Information:

- Solstice LED Engine's Life Sync Programs: Lumen Depreciation Maintenance, Temperature Control, Under Voltage Lockout, and Optional 5-6-1 Energy Savings Program
- Patented Active Cooling and Vortex Heat Sink
- Soft Start
- Plug and Play wireless control transceiver, IoT compatible (optional)
- LED Chips operating up to 1100mA
- Smart Driver: SV and HV, IP66 Rated, IEC, UL class 2 power, Class A sound rating, minimum efficiency of 86%, and operates between -40°C and 50°C, 120-480V, 50Hz

Limited Warranty:

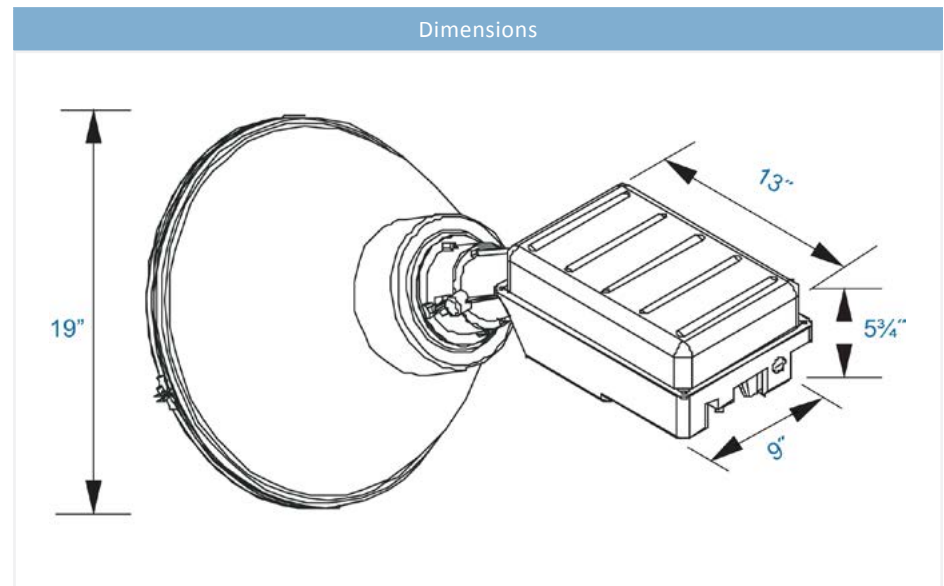
- 10 Year Engine Warranty
- 5 Year Driver Warranty

Applications:

- Sports

Output	Wattage	Lumens	Efficacy (L/W)
HO	120	13000	110
HI	95	11000	115
MH	85	10000	120
ML	75	9000	120

Specifications			
Voltage Options:	SV (120V-277V) HV (277V-480V)	CCT:	BR 5000K, BL 4000K, OR 2700K
Operating Temp:	-40° to 45° Celsius		
Power Factor:	>.90		
THD:	<20%	Surge Protection:	Required for ALL 347V-480V applications in order to qualify for warranty. Recommended for outdoor applications.
CRI:	80 (standard)		
Optics:	NL (no lens), 10D, 25D, 50D, 75D, 360s, T2, T3		



Ordering Information:

GTL-AR-SP50AR19 - 5498 - G2 - HO - SV - GR - NL / GT-LSP-120

Fixture	Engine	Wattage	Voltage		CCT	Lens	Accs	
GTL-AR-SP50AR19	2x5498 - G2	HO (240W)	SV (120V-277V)		BR ¹ (5000K) [80CRI]	NL = No Lens	SP50AR19GS	
			HV (277V-480V)		BL ¹ (4000K) [80CRI]	10D = 10D Lens	SP50AR3GS	
	2x5498 - G2	HI (190W)	SV (120V-277V)		OR (2700K) [80CRI]	25D = 25D Lens	SP50AR456GS	
			HV (277V-480V)			50D = 50D Lens	SP50AR19LB	
	2x5498 - G2	MH (170W)	SV (120V-277V)			75D = 75D Lens	SPCB19	
			HV (277V-480V)			360s = 360 Square Lens	SP50AR2GLCB	
	2x5498 - G2	ML (150W)	SV (120V-277V)			T2 = Type II Lens	SPGLCB22	
			HV (277V-480V)			T3 = Type III Lens	SPGLCB23	
	5498 - G2	HO (120W)	SV (120V-277V)				SP50HY	
			HV (277V-480V)				SP50PT	
	5498 - G2	HI (95W)	SV (120V-277V)				IP67 = 5498 - G2*	
			HV (277V-480V)				GT-LSP-120	
	5498 - G2	MH (85W)	SV (120V-277V)				GT-LSP-240	
			HV (277V-480V)				GT-LSP-277	
	5498 - G2	ML (75W)	SV (120V-277V)				GT-LSP-347	
			HV (277V-480V)				GT-LSP-480	

Surge Protectors	
GT-LSP-120	Surge Protector. 120 V 10 kA Parallel. 20kA maximum discharge current.
GT-LSP-240	Surge Protector. 240 V 10 kA Parallel. 20kA maximum discharge current.
GT-LSP-277	Surge Protector. 277 V 10 kA Parallel. 20kA maximum discharge current.
GT-LSP-347	Surge Protector. 347 V 10 kA Parallel. 20kA maximum discharge current.
GT-LSP-480	Surge Protector. 480 V 10 kA Parallel. 20kA maximum discharge current.

Notes:

¹ Lead times for CCT options other than BR and BL may be increased

* IP67 upgrade for Engine + fan (only NL, 10D, 25D, 50D & 75D)