

Sports Lighter SP-50AR26 5498

GTL-SP-50AR26-5498-G2

285W - 480W

Commonly Replaces
750W-1000+W HPS/MH/HID

Description:

Global Tech LED's 26" Sports Lighter fixture illuminates the night using the Solstice Titan Engine, or a combination of Solstices.


Made in USA
Buy American Act compliant


L70 > 150,000
Third Party Tested


Rated IP67
Optional


Dimming Capable
Optional


RoHS compliant
Materials


UL Listed
US and Canada



IES Files
Available at
globaltechled.com

Additional Information:

- Solstice LED Engine's Life Sync Programs: Lumen Depreciation Maintenance, Temperature Control, Under Voltage Lockout, and Optional 5-6-1 Energy Savings Program
- Patented Active Cooling and Vortex Heat Sink
- Soft Start
- Plug and Play wireless control transceiver, IoT compatible (optional)
- LED Chips operating up to 1100mA
- Smart Driver: SV and HV, IP66 Rated, IEC, UL class 2 power, Class A sound rating, minimum efficiency of 86%, and operates between -40°C and 50°C, 120-480V, 50Hz

Limited Warranty:

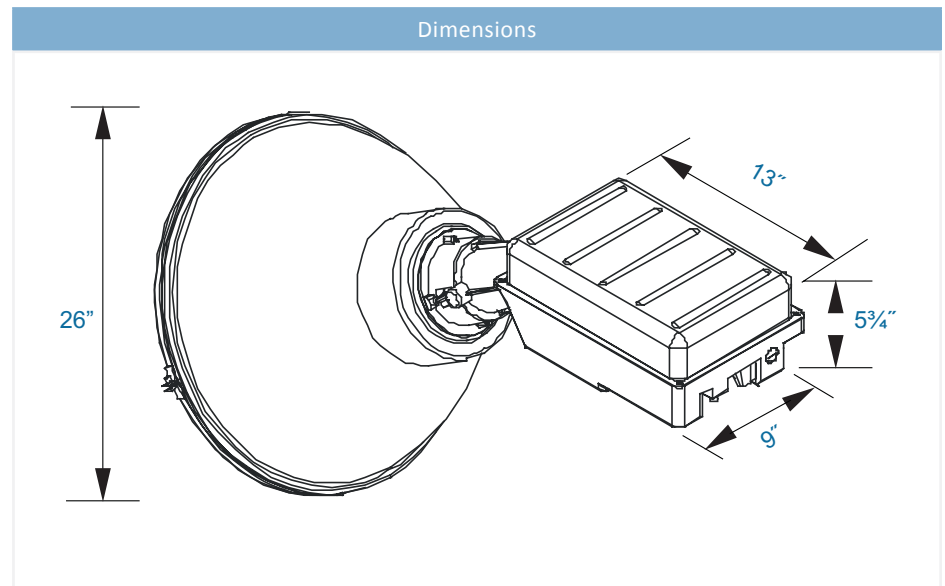
- 10 Year Engine Warranty
- 5 Year Driver Warranty

Applications:

- Sports

Output	Wattage	Lumens	Efficacy (L/W)
HO	120	13000	110
HI	95	11000	115
MH	85	10000	120
ML	75	9000	120

Specifications			
Voltage Options:	SV (120V-277V) HV (277V-480V)	CCT:	BR 5000K, BL 4000K, OR 2700K
Operating Temp:	-40° to 45° Celsius		
Power Factor:	>.90		
THD:	<20%	Surge Protection:	Required for ALL 347V-480V applications in order to qualify for warranty. Recommended for outdoor applications.
CRI:	80 (standard)		
Optics:	NL (no lens), 10D, 25D, 50D, 75D, 360s, T2, T3		



Ordering Information: 5498 SP50AR26

GTL-AR-SP50AR26 - 3X5498 - G2 - HO - SV - GR - NL / GT-LSP-120 - IP67

Fixture	Engine	Wattage	Voltage		CCT	Lens	Accs	
GTL-AR-SP50AR26	4x5498 - G2	HO (480W)	SV (120V-277V)		BR ¹ (5000K) [80CRI]	NL = No Lens	SP50HY	
			HV (277V-480V)		BL ¹ (4000K) [80CRI]	10D = 10D Lens	SP50AR3GS	
	3x5498 - G2	HO (360W)	SV (120V-277V)		OR (2700K) [80CRI]	25D = 25D Lens	SP50AR456GS	
			HV (277V-480V)			50D = 50D Lens	SP50PT	
	3x5498 - G2	HI (285W)	SV (120V-277V)			75D = 75D Lens	IP67 = 3x5498 - G2*	
			HV (277V-480V)			360s = 360 Square Lens	IP67 = 4x5498 - G2*	
						T2 = Type II Lens	GT-LSP-120	
						T3 = Type III Lens	GT-LSP-240	
							GT-LSP-277	
							GT-LSP-347	
							GT-LSP-480	

Surge Protectors	
GT-LSP-120	Surge Protector. 120 V 10 kA Parallel. 20kA maximum discharge current.
GT-LSP-240	Surge Protector. 240 V 10 kA Parallel. 20kA maximum discharge current.
GT-LSP-277	Surge Protector. 277 V 10 kA Parallel. 20kA maximum discharge current.
GT-LSP-347	Surge Protector. 347 V 10 kA Parallel. 20kA maximum discharge current.
GT-LSP-480	Surge Protector. 480 V 10 kA Parallel. 20kA maximum discharge current.

Notes:

¹ Lead times for CCT options other than BR and BL may be increased

* IP67 upgrade for Engine + fan (only NL, 10D, 25D, 50D & 75D)