

5498 Wall Pack Fixture SM303

GTL-WP-SM303-5498-G2

75W - 120W

Commonly Replaces
250W-400W HPS/MH/HID

Description:

Ideal for building, back yards, parks, signs, sports field, parking lots and other general applications where floodlighting may come into use. Heavy duty die-cast aluminum. Powder coating. Heat and impact resistant tempered glass lens. Dark architectural bronze color. Powder coated finish on the heavy duty die cast housing. Silicone rubber included to prevent any leakage from the outside. One piece anodized aluminum designed reflector for best light efficiency.

 **Made in USA**
Buy American Act compliant

 **L70 > 150,000**
Third Party Tested

 **Rated IP67**
Optional

 **Dimming Capable**
Optional

 **RoHS compliant**
Materials



IES Files
Available at
globaltechled.com

Additional Information:

- Solstice LED Engine's Life Sync Programs: Lumen Depreciation Maintenance, Temperature Control, Under Voltage Lockout, and Optional 5-6-1 Energy Savings Program
- Patented Active Cooling and Vortex Heat Sink
- Soft Start
- Plug and Play wireless control transceiver, IoT compatible (optional)
- LED Chips operating up to 1100mA
- Smart Driver: SV and HV, IP66 Rated, IEC, UL class 2 power, Class A sound rating, minimum efficiency of 86%, and operates between -40°C and 50°C, 120-480V, 50Hz

Limited Warranty:

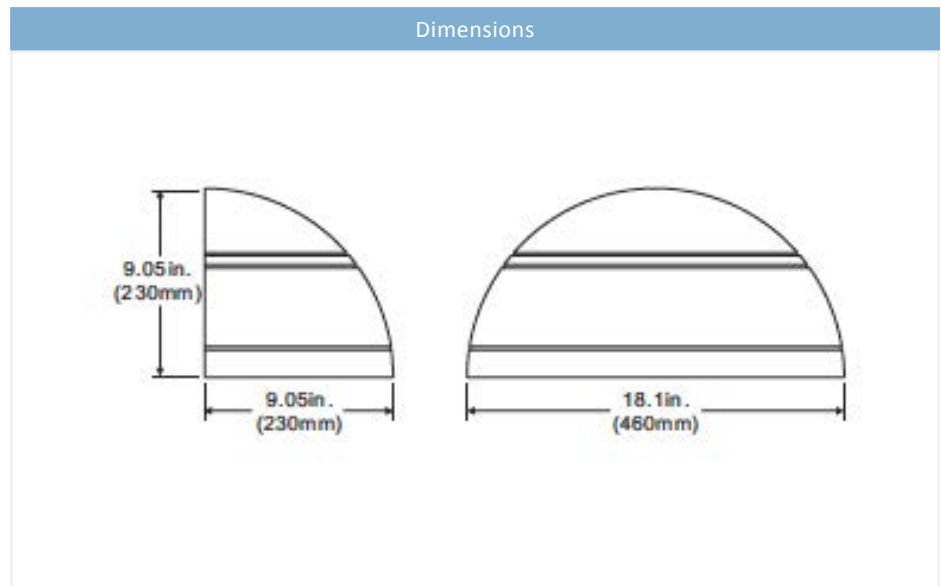
- 10 Year Engine Warranty
- 5 Year Driver Warranty

Applications:

- Wall Pack
- Area


Output	Wattage	Lumens	Efficacy (L/W)
HO	120	13000	110
HI	95	11000	115
MH	85	10000	120
ML	75	9000	120

Specifications			
Voltage Options:	SV (120V-277V) HV (277V-480V)	CCT:	BR 5000K, YW 4100K, BL 4000K, RD 3500K, PR 3000K, OR 2700K, AMB 597nm
Operating Temp:	-40° to 45° Celsius		
Power Factor:	>.90		
THD:	<20%	Surge Protection:	Required for ALL 347V-480V applications in order to qualify for warranty. Recommended for outdoor applications.
CRI:	80 (standard)		
Optics:	NL (no lens), 10D, 25D, 50D, 75D, 360s, T2, T3		



Ordering Information:

GTL-WP-SM303 - 5498 - G2 - HO - SV - BR - NL /



Fixture	Engine	Wattage	Voltage		CCT	Lens	Accs	
GTL-WP-SM303	5498 - G2	HO (120W)	SV (120V-277V)		BR ¹ (5000K) [80CRI]	NL = No Lens	GT-LSP-120	
			HV (277V-480V)		YW (4100K) [70CRI]	10D = 10D Lens	GT-LSP-240	
	5498 - G2	HI (95W)	SV (120V-277V)		BL ¹ (4000K) [80CRI]	25D = 25D Lens	GT-LSP-277	
			HV (277V-480V)		RD (3500K) [80CRI]	50D = 50D Lens	GT-LSP-347	
	5498 - G2	MH (85W)	SV (120V-277V)		PR (3000K) [95CRI]	75D = 75D Lens	GT-LSP-480	
			HV (277V-480V)		OR (2700K) [80CRI]	360s = 360 Square Lens	IP67 = 1x5498-G2*	
	5498 - G2	ML (75W)	SV (120V-277V)		AMB (Amber) [†]	T2 = Type II Lens		
			HV (277V-480V)			T3 = Type III Lens		

Surge Protectors	
GT-LSP-120	Surge Protector. 120 V 10 kA Parallel. 20kA maximum discharge current.
GT-LSP-240	Surge Protector. 240 V 10 kA Parallel. 20kA maximum discharge current.
GT-LSP-277	Surge Protector. 277 V 10 kA Parallel. 20kA maximum discharge current.
GT-LSP-347	Surge Protector. 347 V 10 kA Parallel. 20kA maximum discharge current.
GT-LSP-480	Surge Protector. 480 V 10 kA Parallel. 20kA maximum discharge current.

Notes:

¹ Lead times for CCT options other than BR and BL may be increased

* IP67 upgrade for Engine + fan (only NL, 10D, 25D, 50D & 75D)