

M-21 Wall Pack Fixture WPC20

GTL-WP-WPC20-M21-G2

25W - 55W

Commonly Replaces
50W-175W HPS/MH/HID

Description:

Ideal for building, back yards, parks, signs, sports field, parking lots and other general applications where floodlighting may come into use. Die cast aluminum housing & hinged front frame, 1/2 coin plugs with O-rings for conduit & photocell, textured architectural bronze powdercoat finish over a chromate conversion coating.

 **Made in USA**
Buy American Act compliant

 **L70 > 150,000**
Third Party Tested

 **Rated IP67**
Optional

 **Dimming Capable**
Optional

 **RoHS compliant**
Materials

 **UL Listed**
US and Canada



IES Files
Available at
globaltechled.com

Additional Information:

- Solstice LED Engine's Life Sync Programs: Lumen Depreciation Maintenance, Temperature Control, Under Voltage Lockout, and Optional 5-6-1 Energy Savings Program
- Patented Active Cooling and Vortex Heat Sink
- Soft Start
- Plug and Play wireless control transceiver, IoT compatible (optional)
- LED Chips operating up to 1100mA
- Smart Driver: SV and HV, IP66 Rated, IEC, UL class 2 power, Class A sound rating, minimum efficiency of 86%, and operates between -40°C and 50°C, 120-480V, 50Hz

Limited Warranty:

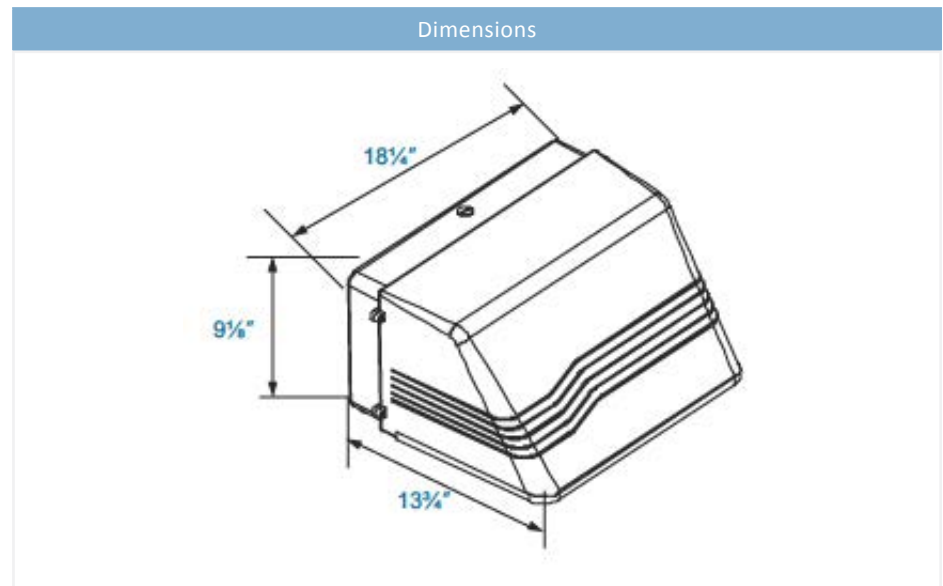
- 10 Year Engine Warranty
- 5 Year Driver Warranty

Applications:

- Wall Pack
- Area


| Output | Wattage | Lumens | Efficacy (L/W) |
|--------|---------|--------|----------------|
| HI | 55 | 6000 | 110 |
| MH | 45 | 5000 | 115 |
| ML | 35 | 4000 | 120 |
| LO | 25 | 3000 | 120 |

| Specifications | | | |
|-------------------------|--|--------------------------|---|
| Voltage Options: | SV (120V-277V) HV (277V-480V) | CCT: | BR 5000K, YW 4100K, BL 4000K, RD 3500K, PR 3000K, OR 2700K |
| Operating Temp: | -40° to 45° Celsius | | |
| Power Factor: | >.90 | | |
| THD: | <20% | Surge Protection: | Required for ALL 347V-480V applications in order to qualify for warranty. Recommended for outdoor applications. |
| CRI: | 80 (standard) | | |
| Optics: | NL (no lens), 10D, 25D, 50D, 75D, 360s, T2, T3 | | |



Ordering Information:

GTL-WP-WPC20 - M21 - G2 - HO - SV - BR - NL /



| Fixture | Engine | Wattage | Voltage | | CCT | Lens | Accs | |
|--------------|----------|----------|----------------|--|---------------------------------|------------------------|------------------|--|
| GTL-WP-WPC20 | M21 - G2 | HI (55W) | SV (120V-277V) | | BR ¹ (5000K) [80CRI] | NL = No Lens | GT-LSP-120 | |
| | | | HV (277V-480V) | | YW (4100K) [70CRI] | 10D = 10D Lens | GT-LSP-240 | |
| | M21 - G2 | MH (45W) | SV (120V-277V) | | BL ¹ (4000K) [80CRI] | 25D = 25D Lens | GT-LSP-277 | |
| | | | HV (277V-480V) | | RD (3500K) [80CRI] | 50D = 50D Lens | GT-LSP-347 | |
| | M21 - G2 | ML (35W) | SV (120V-277V) | | PR (3000K) [95CRI] | 75D = 75D Lens | GT-LSP-480 | |
| | | | HV (277V-480V) | | OR (2700K) [80CRI] | 360s = 360 Square Lens | IP67 = 1xM21-G2* | |
| | M21 - G2 | LO (25W) | SV (120V-277V) | | AMB (Amber) [†] | T2 = Type II Lens | | |
| | | | HV (277V-480V) | | | T3 = Type III Lens | | |

| Surge Protectors | |
|------------------|--|
| GT-LSP-120 | Surge Protector. 120 V 10 kA Parallel. 20kA maximum discharge current. |
| GT-LSP-240 | Surge Protector. 240 V 10 kA Parallel. 20kA maximum discharge current. |
| GT-LSP-277 | Surge Protector. 277 V 10 kA Parallel. 20kA maximum discharge current. |
| GT-LSP-347 | Surge Protector. 347 V 10 kA Parallel. 20kA maximum discharge current. |
| GT-LSP-480 | Surge Protector. 480 V 10 kA Parallel. 20kA maximum discharge current. |

Notes:

¹ Lead times for CCT options other than BR and BL may be increased

* IP67 upgrade for Engine + fan (only NL, 10D, 25D, 50D & 75D)