

ATLAS High Bay [95W LED Grow Light]



Description and Application:

The ATLAS Grow Light is perfect for small plots of vegetation as well as individual plants. It's sleek architectural profile can be enhanced with custom colors in any variation with an RAL#*. RAL#'s can be found at www.RALcolor.com.

* Lead times may vary on Custom RAL#'s

Specification Features:

- Actively Cooled to guarantee long life even in the hottest of environments
- Precision custom optics guarantee maximum photometric efficiency and optimum light distribution.
- Over temperature protection
- Soft start
- 0 – 10V Dimming compatible
- Under voltage protection for power off or brownout.
- Wireless/sensor option available
- Eye hook mounting standard without GT-PENDANT accessory
- Whip length - 6' 7"

Wattage Selections:

GTSOL5498 – 95W

On board programs selected by Dip Switch:

STD: Standard Operation

SAVE: 5-6-1 Energy saving program

Dimm Sink - Select when using a driver as 10V source for dimmer switch

Dimm Source - Select when GTSOL5498 is used as 10V source for dimmer switch

Driver:

120-277VAC driver input.
(Blue = Neutral, Brown = Hot)

Additional Information:

Operating Temperature Range:
-40°C to 55°C Nominal

Photometrics:
.ies files available

Optics offered for different distributions.
(Dist. = 120° w/o secondary optics)

Surge Protector:
- Recommended for all outdoor applications

L70 > 150,000Hrs.

Warranty: Driver = 5 years
Solstice Light Engine = 5 years
Fixture = 5 years

Life Sync adjusts module to operate at max performance in any given environment

Accessories

Catalog #	Description
IP67	IP67 Rated LED Engine
GT-LSP-120	Surge Protector. 120 V 10 kA Parallel. 20kA maximum discharge current.
GT-LSP-240	Surge Protector. 240 V 10 kA Parallel. 20kA maximum discharge current.
GT-LSP-277	Surge Protector. 277 V 10 kA Parallel. 20kA maximum discharge current.
GT-PENDANT	Pendant mount
"RAL#"	Custom Fixture Housing Color (Insert actual Ral#)



Fully Compliant with ARRA Buy American Requirements. Made in the USA.



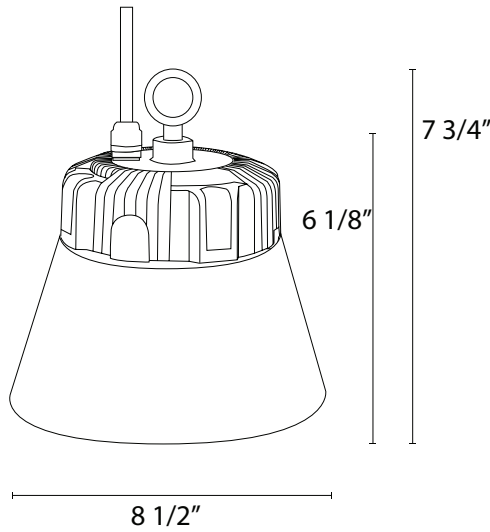
Product Information

ATLAS High Bay

[95W LED Grow Light]

SR16-8R1

Details



Features



- Life Sync
- Module Temp Protection
- Lumen Depreciation Maintenance
- Wattage Selections (on board)
- On Board Programming
- 5-6-1 Energy Saving Program
- 0-10V Dimming
- Lumiled Luxeon LED chips
- Active Thermal Management
- Optical Distribution Options
- -40°C to 55°C Nominal Operating Temperature
- 5 Year Warranty

Ordering Code Example:

GTL-HB-ATLAS - 5498 - HI - SV - GRO - 25D / GT-LSP-120 - IP67

Fixture	Module	Wattage	Voltage		CCT	Lens	Accs	
GTL-HB-ATLAS	5498	HI (95W)	SV (120V-277V)		GRO (Grow) [†]	25D = 25D Lens	IP67 = 5498	
						50D = 50D Lens	GT-LSP-120	
						75D = 75D Lens	GT-LSP-240	
							GT-LSP-277	
							GT-PENDANT	
						"RAL#" ^{††}		

+ Upcharges not included in MSRP Price

++ RAL# upcharge is charged per order for quantities under 50 pieces

Please see previous page for accessory information

Please note, prices may change with quantity

Fully Compliant with ARRA Buy American Requirements. Made in the USA.