

ATLAS High Bay [30W-135W LED High Bay]



Description and Application:

Our latest USA invention is an innovative, small footprint, LED high bay fixture, able to deliver super bright light at tremendous distances. It is a perfect replacement for existing CFL or HID High Bays in Retail or commercial applications, and of course for new construction. It's sleek architectural profile can be enhanced with custom colors in any variation with an RAL#*. RAL#'s can be found at www.RALcolor.com.

* Lead times may vary on Custom RAL#'s

Specification Features:

- Actively Cooled to guarantee long life even in the hottest of environments
- Precision custom optics guarantee maximum photometric efficiency and optimum light distribution.
- Over temperature protection
- Soft start
- 0 – 10V Dimming compatible
- Under voltage protection for power off or brownout.
- Wireless/sensor option available
- Eye hook mounting standard without GT-PENDANT accessory
- Whip length - 6'

Wattage Selections:

GTSOLM21 – 30W, 40W, 50W, 60W
GTSOL5498 – 75W, 85W, 95W, 135W
On board programs selected by Dip Switch:

STD: Standard Operation

SAVE: 5-6-1 Energy saving program

Dimm Sink - Select when using a driver as 10V source for dimmer switch

Dimm Source - Select when GTSOL5498 is used as 10V source for dimmer switch

Driver:

120-277VAC driver input.
(Blue = Neutral, Brown = Hot)

Additional Information:

Operating Temperature Range:
-40°C to 45°C Nominal

Photometrics:
.ies files available

Optics offered for different distributions.
(Dist. = 120° w/o secondary optics)

Surge Protector:
- Recommended for all outdoor applications

L70 > 150,000Hrs.

Warranty: Driver = 5 years
Solstice Light Engine = 10 years
Fixture = 10 years

Life Sync adjusts module to operate at max performance in any given environment

Accessories

Catalog #	Description
IP67	IP67 Rated LED Engine
GT-LSP-120	Surge Protector. 120 V 10 kA Parallel. 20kA maximum discharge current.
GT-LSP-240	Surge Protector. 240 V 10 kA Parallel. 20kA maximum discharge current.
GT-LSP-277	Surge Protector. 277 V 10 kA Parallel. 20kA maximum discharge current.
GT-PENDANT	Pendant mount
"RAL#"	Custom Fixture Housing Color (Insert actual Ral#)



Optional Conduit Mounting Kit (conduit not included)



GT-PENDANT Accessory



STD Cover, No optics 6-Hole Cover, 50D optics Frosted Cover, No optics

LED Module Compatibility

Product	Output Setting	LED Chip Drive Current [mA]	Rated Lumens [Lm]	Rated Watts [W]
GTSOL5498 x 1	HO	900	13164	135
GTSOL5498 x 1	HI	700	9447	95
GTSOL5498 x 1	MH	525	8999	85
GTSOL5498 x 1	ML	350	7814	75
GTSOLM21 x 1	HI	700	5910	60
GTSOLM21 x 1	MH	600	4594	50
GTSOLM21 x 1	ML	500	3742	40
GTSOLM21 x 1	LO	400	2679	30



Fully Compliant with ARRA Buy American Requirements. Made in the USA.

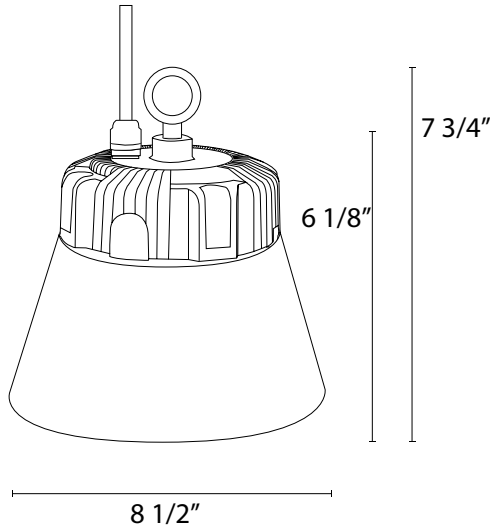


ATLAS High Bay

[30W-135W LED High Bay]

SR16-6R1

Details



Features



- Life Sync
 - Module Temp Protection
 - Lumen Depreciation Maintenance
- Wattage Selections (on board)
- On Board Programming
 - 5-6-1 Energy Saving Program
 - 0-10V Dimming
- Lumiled Luxeon LED chips
- Active Thermal Management
- Optical Distribution Options
- 40°C to 45°C Nominal Operating Temperature
- 10 Year Warranty

Ordering Code Example:

GTL-HB-ATLAS - 5498 - HO - SV - GR - NL / GT-LSP-120 - IP67

Fixture	Module	Wattage	Voltage		CCT	Lens	Accs	
GTL-HB-ATLAS	5498	HO (135W)	SV (120V-277V)		GR (5000K) [70CRI]	NL = No Lens	IP67 = M21	
					BR (5000K) [80CRI]	10D = 10D Lens	IP67 = 5498	
	5498	HI (95W)	SV (120V-277V)		YW (4100K) [70CRI]	25D = 25D Lens	GT-LSP-120	
					BL (4000K) [80CRI]	50D = 50D Lens	GT-LSP-240	
	5498	MH (85W)	SV (120V-277V)		RD (3500K) [80CRI]	75D = 75D Lens	GT-LSP-277	
					PR (3000K) [95CRI]	360D = 360D Lens	GT-PENDANT	
	5498	ML (75W)	SV (120V-277V)		OR (2700K) [80CRI]	360s = 360 Square Lens	"RAL#" ††	
					GRO (Grow)†	T2 = Type II Lens		
	M21	HI (60W)	SV (120V-277V)		AMB (Amber)†	T3 = Type III Lens		
					AQU (Aquarium)†			
M21	MH (50W)	SV (120V-277V)		RYB (Royal Blue)†				
M21	ML (40W)	SV (120V-277V)						
M21	LO (30W)	SV (120V-277V)						

* IP67 upgrade for module + fan (only NL, 10D, 25D, 50D & 75D)

+ Upcharges not included in MSRP Price

†† RAL# upcharge is charged per order for quantities under 50 pieces

Please see previous page for accessory information

Please note, prices may change with quantity

Fully Compliant with ARRA Buy American Requirements. Made in the USA.