

ATLAS High Bay [135W LED High Bay]

Description and Application:

The new innovative GTL Fixture is light weight, compact and still delivers the light you need, where you need it. The Fixture is an excellent replacement for High Bays or Low Bays in architectural applications with its sleek profile and virtually any color variation with an RAL#. RAL#'s can be found at www.RALcolor.com *

* Lead times may vary on Custom RAL#'s

Specification Features:

- Over temperature protection
- Soft start
- 0 - 10V Dimming compatible
- Under voltage protection for power off or brownout.
- 0 - 10V Input port.
- 6lbs

Wattage Selections:

GTSOL5498 – 135W

Driver:

120-277VAC driver input.
(Blue = Neutral, Brown = Hot)

Additional Information:

Operating Temperature Range:
up to +50 degrees Celsius

L70 / TM21 > 54,00Hrs.

Photometrics:
IES files available

Surge Protector:
- Recommended for all outdoor application

Warranty: Driver = 5 years
Solistic Light Engine = 10 years
Fixture = 10 years



GT-PENDANT
Accessory

Accessories

Catalog #	Description
GT-PENDANT	Pendant mount
"RAL#"	Custom Fixture Housing Color (Insert actual Ral#)



Fully Compliant with ARRA Buy American Requirements. Made in the USA.

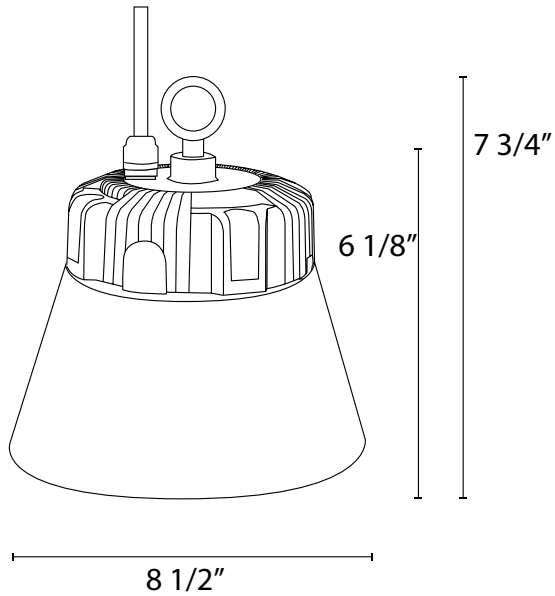


Product Information

ATLAS High Bay


[135W LED High Bay]

Details



Features

- Life Sync
 - Module Temp Protection
 - Lumen Depreciation Maintenance
 - 5-6-1 Energy Saving Program
 - 0-10V Dimming
- High Efficiency LED chips
- Active Thermal Management
- 45°C to 50°C Nominal Operating Temperature
- 10 Year Warranty *



Ordering Code Example:

GTL-HB-ATLAS - 5498 - HO - SV - GR - NL

Fixture	Module	Wa age	Voltage		CCT	Lens	Accs	
GTL-HB-ATLAS	5498	HO (135W)	SV (120V-277V)		GR (5000K) [70CRI] BR (5000K) [80CRI]	NL = No Lens	GT-PENDANT "RAL#"	

Please see previous page for accessory informatio
Please note, prices may change with quantit

Fully Compliant with ARRA Buy American Requirements. Made in the USA.