

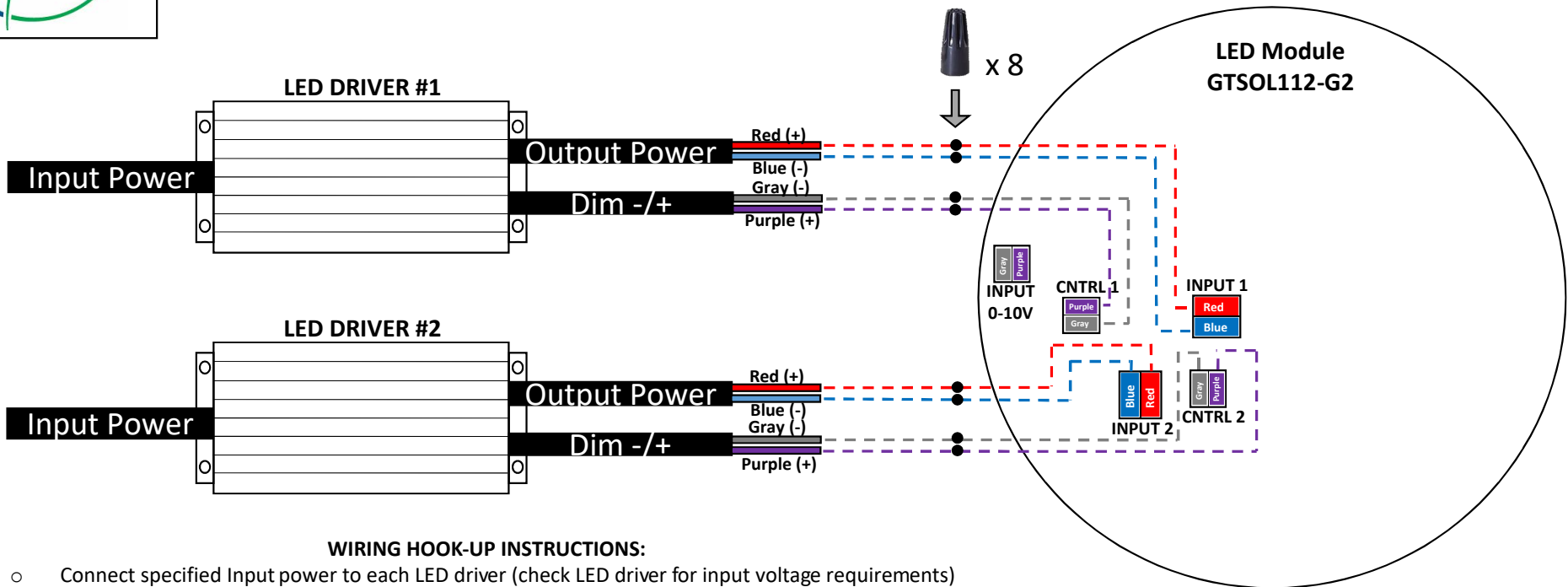
# North American Wiring



## Global Tech LED

GTSOL112-G2

Typical Wiring Example



### WIRING HOOK-UP INSTRUCTIONS:

- Connect specified Input power to each LED driver (check LED driver for input voltage requirements)
- Connect **LED driver #1** output to **LED module INPUT 1** (Red "+" / Blue "-")
- Connect **LED driver #1** output Dim to **LED module CNTRL 1** (Purple "+" / Gray "-")
- Connect **LED driver #2** output to **LED module INPUT 2** (Red "+" / Blue "-")
- Connect **LED driver #2** output Dim to **LED module CNTRL 2** (Purple "+" / Gray "-")
- **INPUT 0-10V** is used for 0-10Vdc dimming only

**NOTE:** Wire colors and electrical hook-up may vary from what is shown above

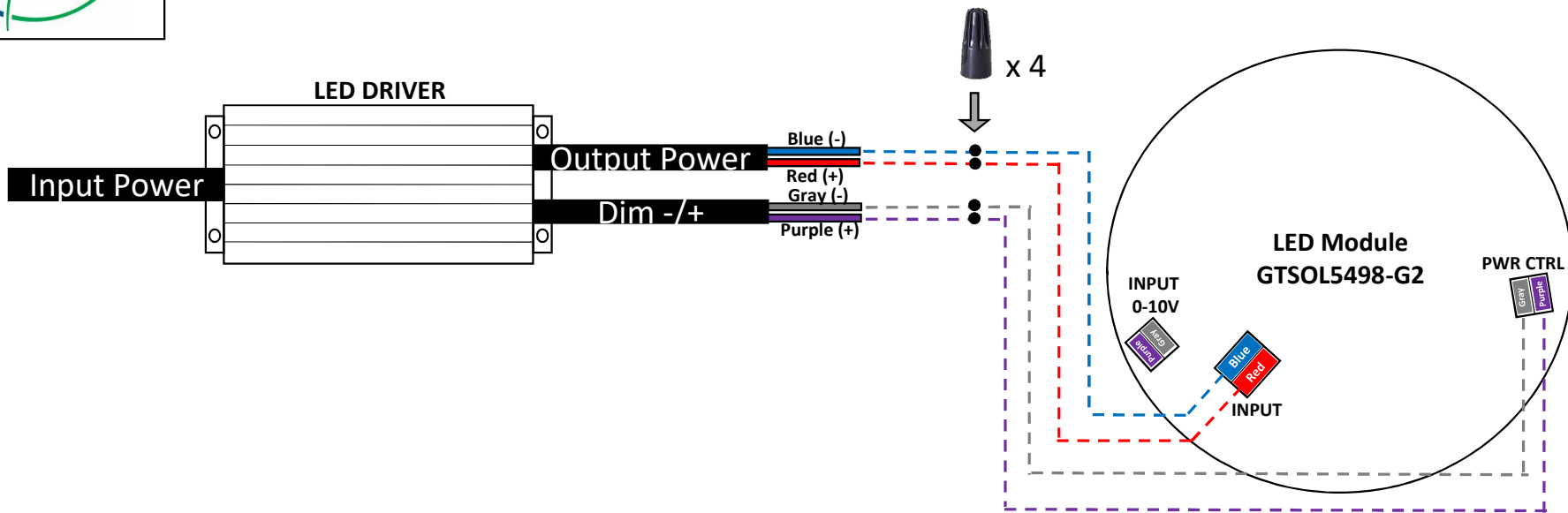
# North American Wiring



## Global Tech LED

GTSOL5498-G2

Typical Wiring Example



### WIRING HOOK-UP INSTRUCTIONS:

- Connect specified Input power to each LED driver (check LED driver for input voltage requirements)
- Connect **LED driver** output to **LED module INPUT** (Red "+" / Blue "-")
- Connect **LED driver** output Dim to **LED module PWR CTRL** (Purple "+" / Gray "-")
- **INPUT 0-10V** is used for 0-10Vdc dimming only

**NOTE:** Wire colors and electrical hook-up may vary from what is shown above

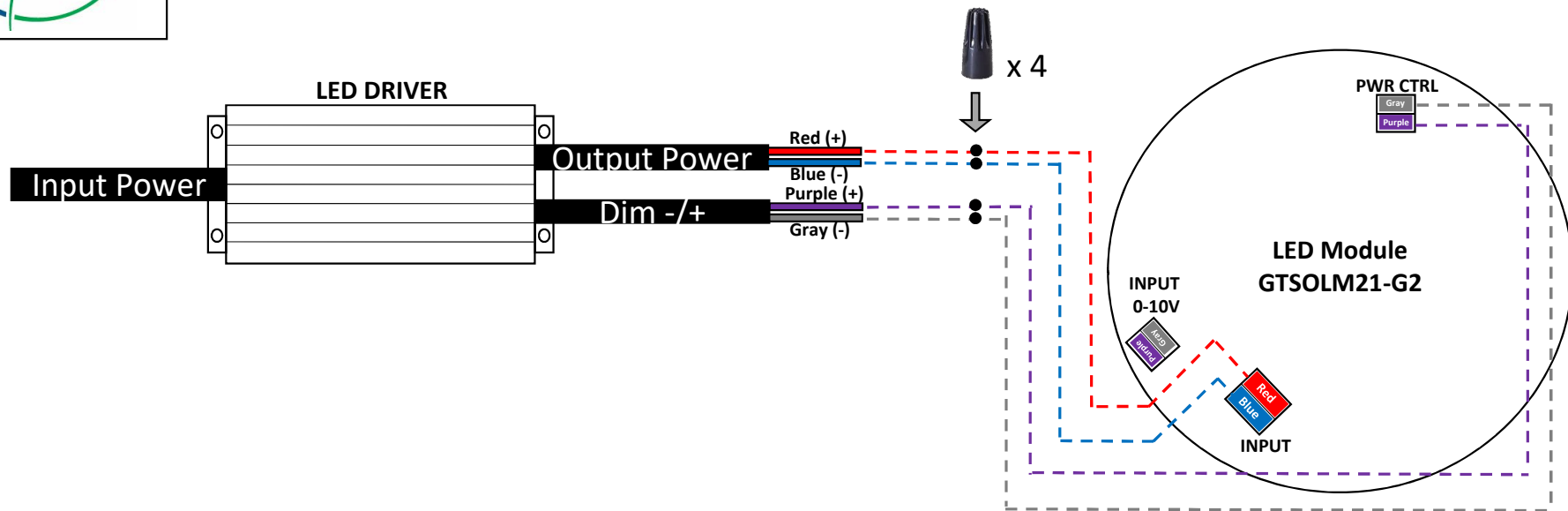
# North American Wiring



## Global Tech LED

GTSOLM21-G2

Typical Wiring Example



### WIRING HOOK-UP INSTRUCTIONS:

- Connect specified Input power to each LED driver (check LED driver for input voltage requirements)
- Connect **LED driver** output to **LED module INPUT** (Red "+" / Blue "-")
- Connect **LED driver** output Dim to **LED module PWR CNRL** (Purple "+" / Gray "-")
- **INPUT 0-10V** is used for 0-10Vdc dimming only

**NOTE:** Wire colors and electrical hook-up may vary from what is shown above

# European Wiring

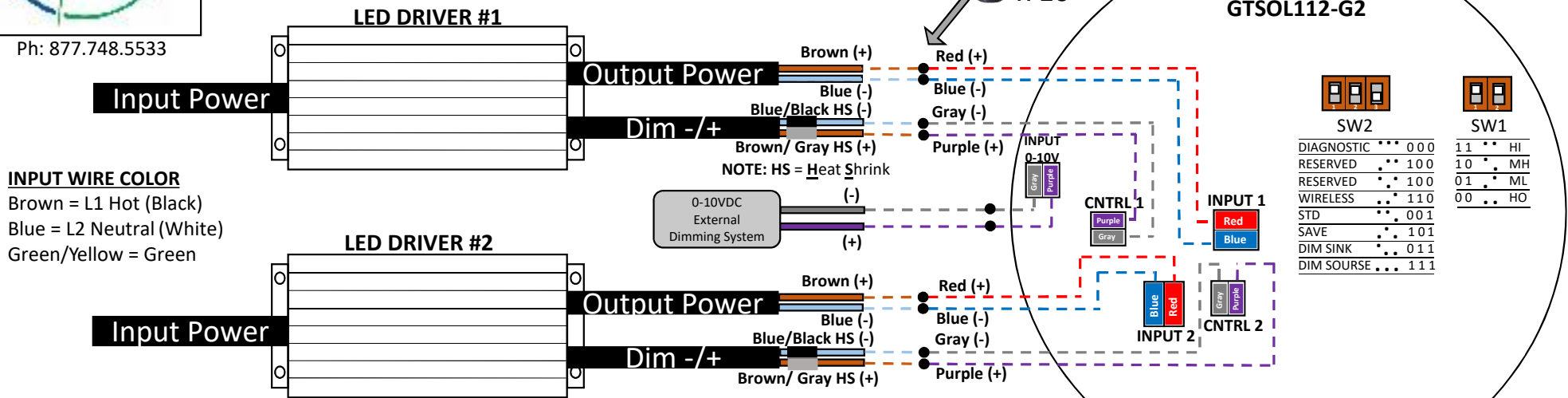


Ph: 877.748.5533

## Global Tech LED

GTSOL112-G2

Typical Wiring Example



### WIRING HOOK-UP INSTRUCTIONS:

- Connect specified Input power to each LED driver (check LED driver for input voltage requirements)
- ⚠ **WARNING:** Driver #1 connects to LED Module INPUT 1 & CNTRL 1; Driver #2 connects to LED Module INPUT 2 & CNTRL 2
- Connect **LED Driver 1 & 2 output Power** to **LED module INPUT** (Brown "+" / Blue "-")  
 Connect the **Blue** output driver wire to the **Blue** wire from LED Module  
 Connect the **Brown** output driver wire to the **Red** wire from LED Module
- Connect **LED Driver 1 & 2 output Dim** to **LED module PWR CNRL**  
 (Blue with **Black Heat Shrink** "+" / Brown with **Gray Heat Shrink** "-"),  
 Connect the **Blue** with **Black Heat Shrink** wire to the **Gray** wire from LED Module;  
 Connect the **Brown** with **Gray Heat Shrink** to the **Purple** wire from LED Module
- **INPUT 0-10V** is used for 0-10Vdc external dimming only (See diagram above)

**NOTE:** Wire colors and electrical hook-up may vary from what is shown above

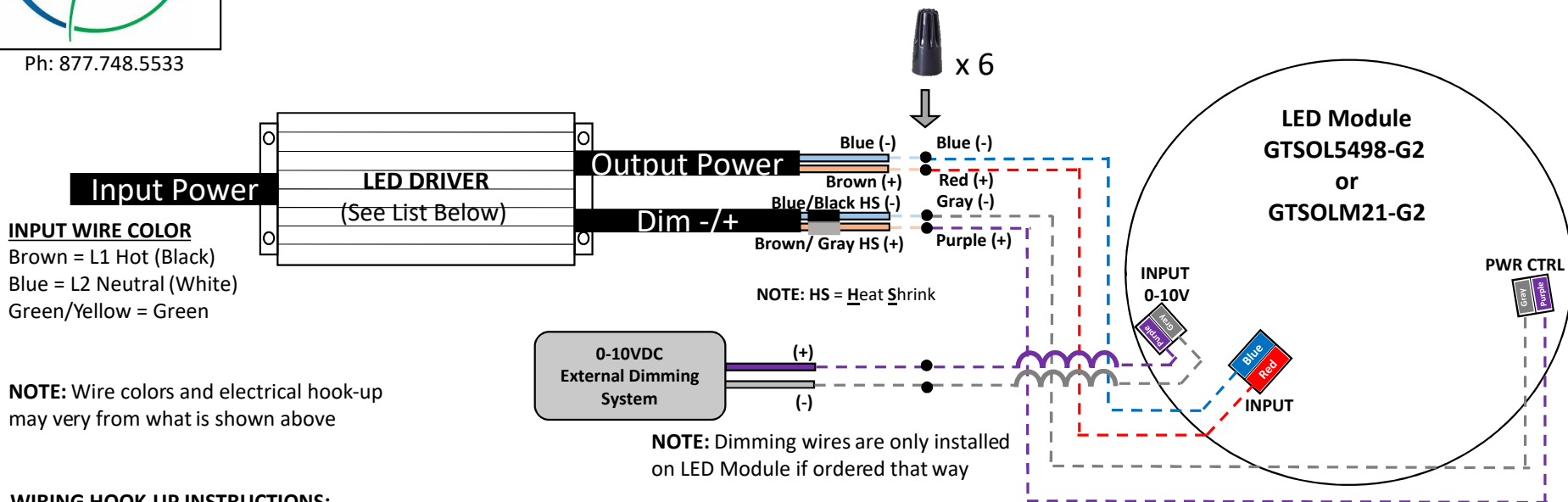


# European Wiring



Ph: 877.748.5533

## Global Tech LED GTSOL5498-G2 or GTSOLM21-G2 Typical Wiring Example



### WIRING HOOK-UP INSTRUCTIONS:

- Connect specified Input power to each LED driver (check LED driver for input voltage requirements)
- Connect **LED driver output Power** to **LED module INPUT** (Brown "+" / Blue "-")  
Connect the **Blue** wire to the **Blue** wire from LED Module;  
Connect the **Brown** wire to the **Red** wire from LED Module
- Connect **LED driver output Dim** to **LED module PWR CNRL** (Blue with Black Heat Shrink "+", Brown with Gray Heat Shrink "-"),  
Connect the **Blue** with **Black Heat Shrink** wire to the **Gray** wire from LED Module;  
Connect the **Brown** with **Gray Heat Shrink** to the **Purple** wire from LED Module
- **INPUT 0-10V** is used for 0-10Vdc external dimming only (See diagram above)



SW2

DIAGNOSTIC	***	000
RESERVED	..	100
RESERVED	..	100
WIRELESS	..	110
STD	..	001
SAVE	..	101
DIM SINK	..	011
DIM SOURCE	..	111



SW1

11	..	HI
10	..	MH
01	..	ML
00	..	HO

