

# TITAN LED High-Mast Housing

## Installation Instruction Guide



### **IMPORTANT - READ ALL INSTRUCTIONS BEFORE ATTEMPTING INSTALLATION**

GLOBAL TECH LED's fixtures must be wired in accordance with the National Electrical Code and all applicable local codes. Proper grounding is required for safety. THIS PRODUCT MUST BE INSTALLED IN ACCORDANCE WITH THE APPLICABLE INSTALLATION CODE BY A PERSON FAMILIAR WITH THE CONSTRUCTION AND OPERATION OF THE PRODUCT AND THE HAZARDS INVOLVED.

- **WARNING** – Risk of fire or electric shock. Make certain power is OFF before installing or maintaining fixture. No user serviceable parts inside.
- **WARNING** – Risk of Injury or Damage. Unit will fall if not installed properly. Follow installation instructions.
- **WARNING** – Risk of injury. Wear safety glasses and gloves during installation and servicing.

### **SPECIFICATIONS**

- **Weight:** 33 - 34Lbs
- **IP Rating:** IP67, UL 1598 Wet Location Rated
- **Mounting Height:** 80ft to 120ft High-mast Application
- **Input Voltage:** 200-480VAC
- **Frequency:** 50/60Hz
- **Series Surge Protector:** Little Fuse LSP10480, IP66

# TITAN LED High-Mast Housing

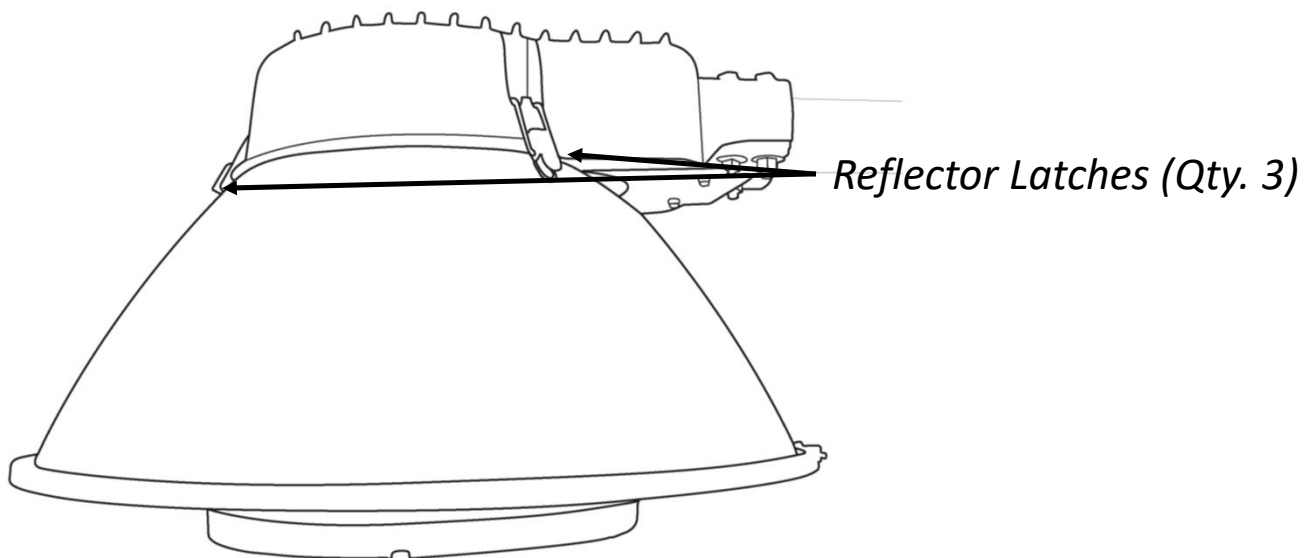
## Installation Instruction Guide

### STEP 1 - HANDLING

- Remove the complete Luminaire from the shipping container
- Care must be taken to insure Luminaire housing is not damaged, Do not stack or subject Luminaire to impact

### STEP 2 - MOUNTING

- Luminaire is to be mounted on a 2-inch (50.8mm) diameter arm or pole Tenon
- **WARNING** – Do not unlatch the three latches at the top outer perimeter of the reflector, see Figure 1 below



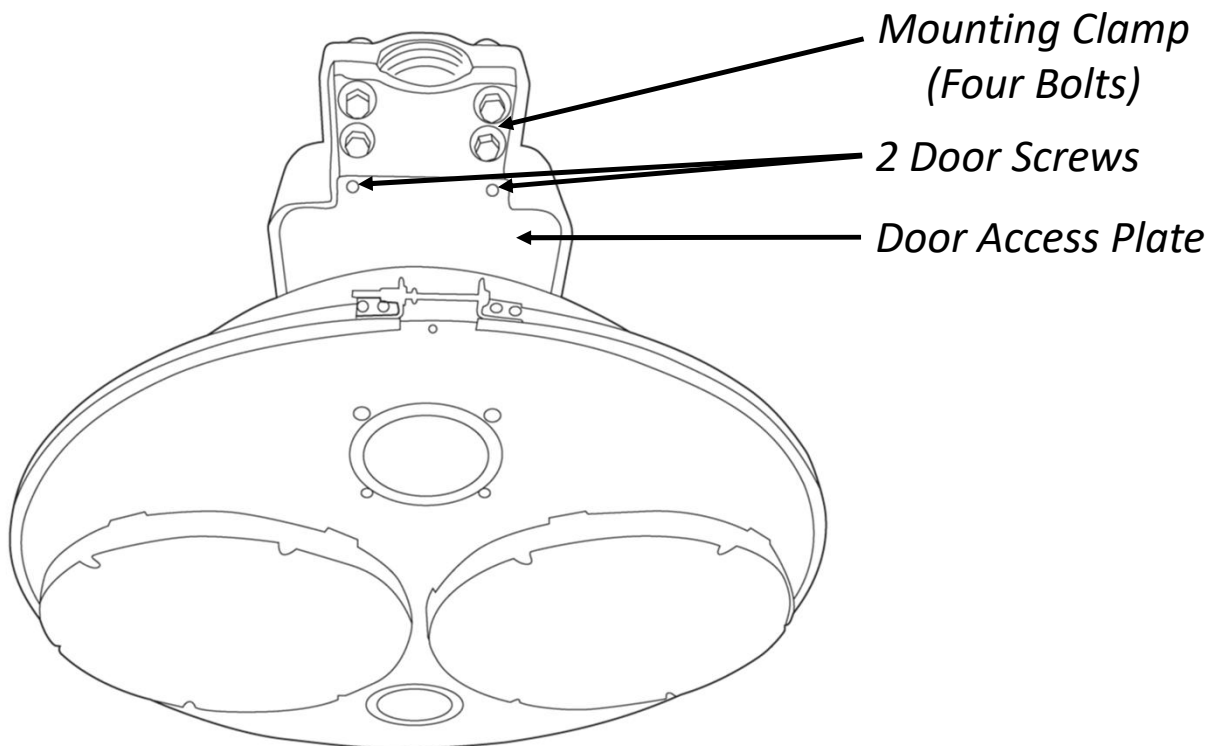
**FIGURE 1**

# TITAN LED High-Mast Housing

## Installation Instruction Guide

### STEP 3 - INSTALLATION

- Remove the wiring door access plate, as shown in Figure 2 below, by first removing the two door screws holding the plate in place
- Loosen the four mounting clamp bolts
- Slide the input power wires thru pole opening and into wiring compartment
- Slide the fixture onto the pole Tenon and secure in place by tighten the four mounting clamp bolts provided to 17-19 foot-pounds (23.05-25.76 N-m); NOTE – tighten alternating front to back diagonally
- After completing “STEP 4 – WIRING” replace the door access plate onto fixture and insert/tighten the two door screws



**FIGURE 2**

# TITAN LED High-Mast Housing

## Installation Instruction Guide

### STEP 4 - WIRING

- Universal voltage driver permits operation at 200 to 480VAC, 50 or 60Hz. Surge protector for 480VAC, 50 or 60Hz has been pre-wired within the driver compartment
- Connect the Black fixture lead to the (+) LINE supply lead
- Connect the White fixture lead to the (-) COMMON supply lead
- Connect the Green fixture ground lead to supply ground lead

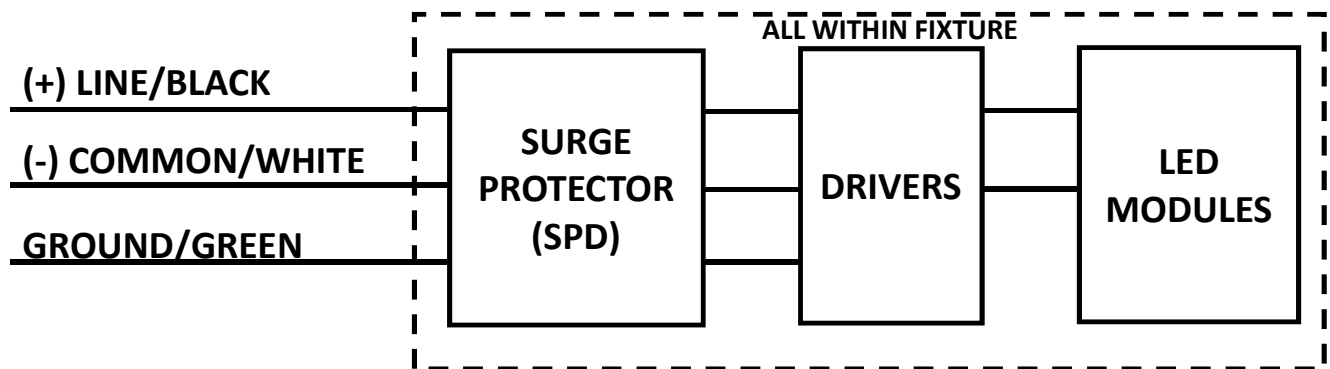


FIGURE 3