

GTL-RW-5498

[75-190w LED Roadway Luminaire]



Applications:

Designed to meet recommended luminance and illuminance requirements for local and major roadway / street classifications.

Features:

- Our Thermal Management System incorporates a sleek and robust heatsink to ensure maximum heat transfer and long LED life. Smart Technology provides Lumen Depreciation Circuitry in order to minimize light loss regardless of geographical location.
- Die Cast Aluminum Alloy, Anti-Corrosion Treated
- 304 Stainless Steel screws
- Epoxy Powder Coated
- PG7/PG9 Waterproof Connectors
- 4mm Tempered Cover Glass
- Specular Reflector
- Efficacy = 93.3 Lm/w

Ratings:

- Solstice LED Modules UL/cUL listed
- IP65 rated optical enclosure per ANSI C136.25-2009
- Temperature rated at -40° to 50°C (-40° to 45°C)
- Upward Light Output Ratio (ULOR) = 0

Weight:

- 10kg

Lumen Depreciation:

- System rating is L70 at 100,000hrs.

LED And Optical Assembly:

- Structured LED Clusters for Optimized Photometric

Roadway Distribution:

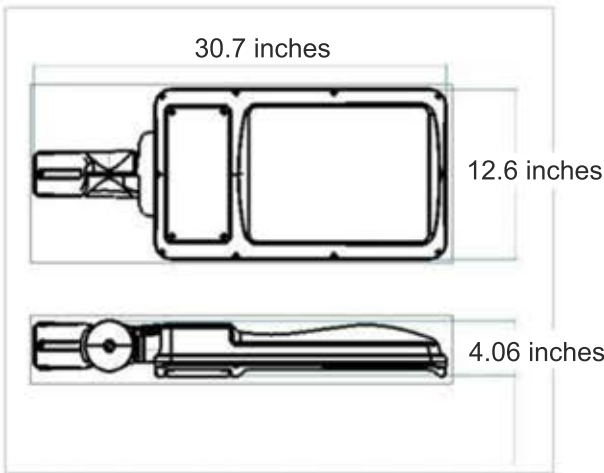
- Solstice Light Engine consisting of Scalable Optical Technology / 100LPW / Type II, Type III
- Utilizes Phillips High Brightness T LED's

Electrical:

- 120-277 volt and 347-480 volt available
- System power factor is >90% and THD <20%
- Class "A" audible sound rating
- Integral surge protection
- Optional high capability surge protection
- Photoelectric sensors (PE) available for all voltages

Warranty:

- Fixture - 5 year warranty
- Driver - 5 year warranty
- Solstice Light Engine - 10 year warranty



Ordering Information Example: GTLRW5498-GR-2X-120/277-HO-L2

GTLRW5498					
Series	Color Temperature	Mounting Options	Input Voltage	Output Setting	Optics
GTLRWM5498	GR (5700K) BR (5000K) YW (4100K) BL (4000K) RD (3500K) PU (3000K) OR (2700K)	1X (1 module) 2X (2 modules)	120/277 (v) 340/480 (v)	[Ratings Per Module] HO (135W, 13164lm) HI (90w, 9447lm) MH (85w, 8999lm) ML (75w, 7814lm)	L2 (Type II) L3 (Type III) L10 (10 Degree) L25 (25 Degree) L50 (50 Degree) L75 (75 Degree)